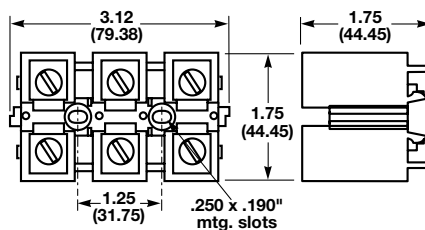


Rail & Base Mount Terminal Blocks

NC3

SPECIFICATIONS:

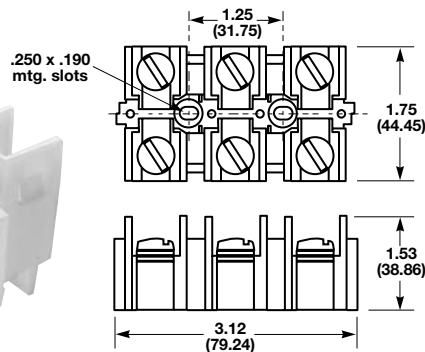
Rating: 175A, 600V; UL/CSA
Center Spacing: 1.06" (26.92 mm)
Number Of Poles: 3
Circuits Per Foot: 11
Wire Range: 2/0-#14 CU/AL
Screw Size: 5/16-24
Mounting Options: C-rail, Base Mount
Marking Tape: MT12-1/2
Torque Rating: 45 in-lb
Operating Temperature: 105°C



NSE3

SPECIFICATIONS:

Rating: 115A, 600V; UL/CSA
Center Spacing: 1.06" (26.92 mm)
Number Of Poles: 3
Circuits Per Foot: 11
Circuit Jumper: JNSE3, 2 circuits
Wire Range: For use with wire crimped to ring terminal
Screw Size: #1/4-28
Mounting Options: C-rail, Base Mount
Marking Tape: MT12-1/2
Torque Rating: 32 in-lb
Operating Temperature: 105°C



NSS3

SPECIFICATIONS:

Rating: 30A, 600V; UL/CSA
Center Spacing: .385" (9.77 mm)
Number Of Poles: 3
Circuits Per Foot: 28
Circuit Jumper: JNSS3, 2 circuits
Wire Range: For use with wire crimped to ring terminal
Screw Size: #6-32
Mounting Options: C-rail
Marking Tape: MT12-1/2
Torque Rating: 12 in-lb
Operating Temperature: 105°C

