

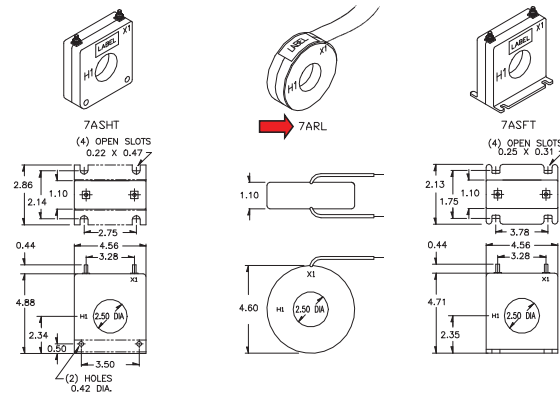
# CURRENT TRANSFORMER

Model 7A  
Window Diameter 2.50"

APPLICATION:  
Ammeters and wattmeters.  
FREQUENCY:  
50-400 Hz.  
INSULATION LEVEL:  
600 Volts, 10 kV BIL full wave.

- Terminals are brass studs No. 8-32 UNC with one flat washer, lockwasher and regular nut.
- Flexible leads are UL 1015 105°C., CSA approved, #16 AWG, 24" long.
- Non-standard lead length can be specified.
- Order mounting bracket kit 0221B00182 separately when required for Model 7ASHT.
- Model 7ASHT and model 7ASFT also available as 7ASHL and 7ASFL with leads.
- Approximate weight: 1.5 lbs.

REGULATORY AGENCY APPROVALS  
E93779 LR89403  
Manufactured to meet the requirements of ANSI/IEEE C57.13.  
Classified by UL in accordance with IEC 44-1.



CATALOG NUMBER	CURRENT RATIO	V.A. FOR CLASS	ANSI METERING CLASS AT 60 HZ					SECONDARY WINDING RESISTANCE (OHMS @ 99°C)	CONTINUOUS RATING (WATT) @ 99°C
			BO.1	BO.2	BO.5	BO.9	B1.8		
7A**-101	100:5	1.0	2.4	4.8	-	-	0.014	2.0	
7A**-151	150:5	2.5	1.2	2.4	4.8	4.8	0.025	2.0	
7A**-201	200:5	5.0	0.8	1.2	2.4	4.8	0.035	2.0	
7A**-251	250:5	7.5	0.3	0.6	1.2	2.4	0.043	2.0	
7A**-301	300:5	12.5	0.3	0.6	1.2	2.4	0.052	2.0	
7A**-401	400:5	15.0	0.3	0.3	0.6	1.2	0.069	2.0	
7A**-501	500:5	25.0	0.3	0.3	0.6	1.2	0.108	1.5	
7A**-801	800:5	30.0	0.3	0.3	0.6	0.6	0.130	1.5	
7A**-751	750:5	30.0	0.3	0.3	0.3	0.6	0.163	1.33	
7A**-801	800:5	35.0	0.3	0.3	0.3	0.6	0.173	1.33	
7A**-102	1000:5	35.0	0.3	0.3	0.3	0.6	0.157	1.33	
7A**-122	1200:5	40.0	0.3	0.3	0.3	0.6	0.234	1.0	
7A**-152	1500:5	50.0	0.3	0.3	0.3	0.6	0.292	1.0	
7A**-162	1600:5	50.0	0.3	0.3	0.3	0.6	0.312	1.0	

\*\* NOTE: When ordering, prefix catalog number with model designation required, i.e. 7ASHT-201, or 7ARL-301 etc.