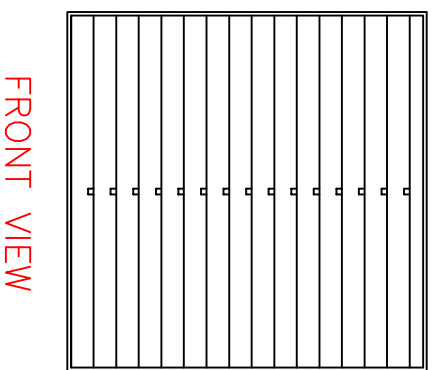


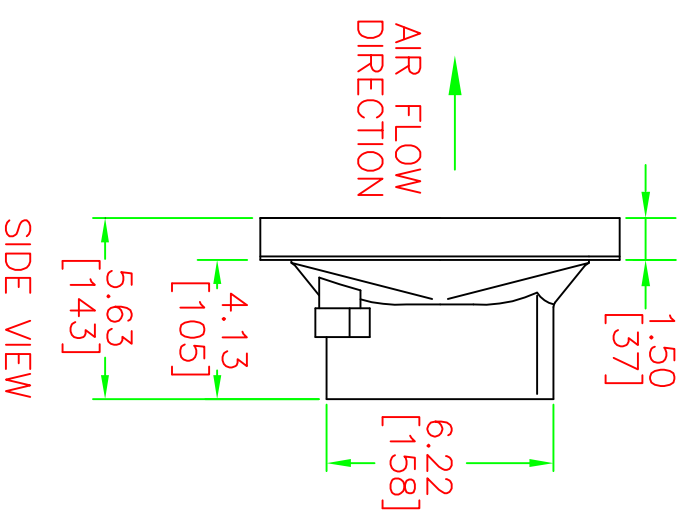
CROSS REFERENCE RA PART # 40122-300-01

REV	DESCRIPTION	DATE	BY	CHK
1	ADDED UL/CUL FILE NUMBER	EC094745 6-6-01	MKP	DN
2	ADDED COLOR TO SPECS.	EC09962 9-18-01	MKP	DN

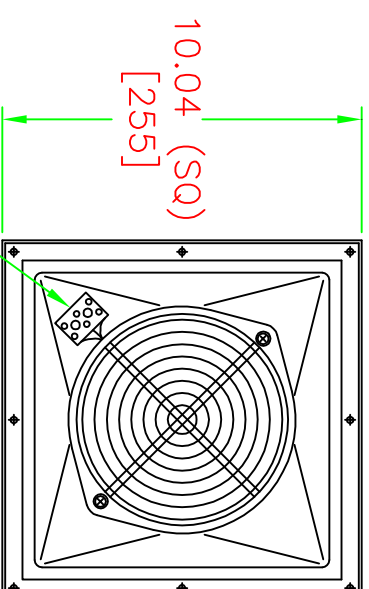
DWG. NO. FF-1003



FRONT VIEW



SIDE VIEW



REAR VIEW

3 POLE TERMINAL BLOCK
TORQUE SETTING 7.7 in.-lbs.

MODEL NUMBER	VOLTAGE	HZ	PHASE	AMPS (50/60)	POWER CONSUMPTION	MOTOR RPM (50/60)	LOW F/°C	HIGH F/°C	SHIPPING WEIGHT Lbs/KgS
FF-1016-003	115	50/60	1	.53/.50	40 W	2800/3250	14/-10	131/55	4.39/1.99

SERVICE TEMPERATURE

LOW F/°C

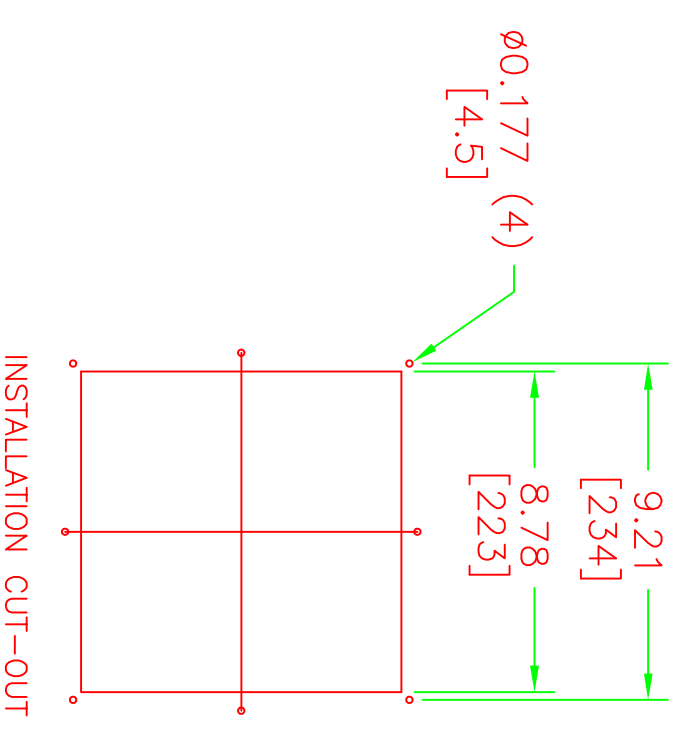
HIGH F/°C

SHIPPING WEIGHT Lbs/KgS

SPECS:

1. FILTER MEDIA TO BE RUBSAMEN P/N P15/350S.
(APW McLEAN P/N 10-1000-62)
2. CE APPROVED, UL/CUL FILE 165154.
3. FAN ASS'Y TO BE BLACK TO MATCH 99-9100-00 BA AIRFLOW AT 60 HZ.
4. AIRFLOW AT 60 HZ.
 - a. UNIMPEDED AIRFLOW: 160 CFM.
 - b. WITH (1) EXHAUST GRILLE: 135 CFM.
5. MOUNTING HARDWARE INCLUDED.

CADFILE: FF1003



INSTALLATION CUT-OUT

ATTENTION:

THIS DRAWING AND THE INFORMATION IT CONTAINS ARE THE EXCLUSIVE PROPERTY OF APW McLEAN. ANY UNAUTHORIZED USE, DISCLOSURE, OR REPRODUCTION WITHOUT THE EXPRESS WRITTEN CONSENT OF APW McLEAN IS PROHIBITED.

UNLESS OTHERWISE SPECIFIED DIMENSIONS ARE IN INCHES TOLERANCES: DECIMALS .XXX +/- .015 DECIMALS .XX +/- .03 DECIMALS .X +/- .05 ANGULAR +/- 1 DEGREE MATERIAL:

DRAWN	DATE
MKP	11-22-00
CHECKED	DATE
BU	12/12/00
PROJECT ENG:	DATE
APPROVED	DATE

TITLE:	
APW mclean	
FILTER FAN, FF-10	
SCALE: NONE	
SIZE B	SHEET: 1 OF 1
DWG. NO.	FF-1003