

Power Distribution & Terminal Blocks

Power Distribution Blocks

600Vac/dc

PDB



Catalog Symbol: Power Distribution Blocks
Voltage Rating: 600 Vac/dc maximum
SCCR: 10kA (except for select products noted)
Agency Information:
 UL Recognized, Guide XCFR2, File E221592
 CSA Certified, Class 6228-01, File 15364

Example: A 3-pole, 16023 series is 16023-3. The **line** side of the device has (1) conductor opening per pole that accepts 350kcmil - #6 CU/AL. The **load** side of the device has (6) conductor openings per pole that each accepts #4 - #14 CU or #4 - #12 AL.

Power Distribution Blocks (600V) Catalog Data

Catalog Number	Connection				Load	Connector Material and Ampacity	UL	CSA
	1-Pole	2-Pole	3-Pole	4-Pole				
16021	NA	-2	-3	-4	2/0 - #14CU, 2/0 - #8AL	(6) #4 - #14CU, #4 - #8AL	•	•
16023	NA	-2	-3	-4	350kcmil - #6CU-AL	(6) #4 - #14CU, #4 - #12AL	•	•
16220*	-1	-2	-3	NA	2/0 - #14CU, 2/0 - #8AL	(4) #4 - #14CU, #4 - #8AL	•	•
16321*	-1	-2	-3	NA	2/0 - #14CU, 2/0 - #8AL	(6) #4 - #14CU, #4 - #8AL	•	•
16323*	-1	-2	-3	NA	350kcmil - #6CU-AL	(6) #4 - #14CU, #4 - #12AL	•	•
16325	-1	-2	-3	NA	(2) 2/0 - #14CU, 2/0 - #8AL	(6) #4 - #14CU, #4 - #8AL	•	•
16330	-1	-2	-3	NA	500kcmil - #6CU-AL	(6) #2 - #14CU, #2 - #12AL	•	•
16332	-1	-2	-3	NA	350kcmil - #6CU-AL	(3) #2 - #14CU, #2 - #8AL (2) 1/0 - #14CU, 1/0 - #8AL	•	•
16335	-1	-2	-3	NA	500kcmil - #6CU-AL	(3) #2 - #14 CU, #2 - #8AL (2) 1/0 - #14CU, 1/0 - #8AL	•	•
16370*	-1	-2	-3	NA	350kcmil - #6CU-AL	(12) #4 - #14CU, #4 - #12AL	•	•
16371*	-1	-2	-3	NA	350kcmil - #6CU-AL	(6) #2 - #14CU, #2 - #8AL (3) 1/0 - #14CU, 1/0 - #8AL	•	•
16372	-1	-2	-3	NA	350kcmil - #6CU-AL	(21) #10 - #14CU, #10AL	•	•
16373	-1	-2	-3	NA	350kcmil - #6CU-AL	(3) 1/0 - #14CU-AL (14) #10 - #14CU, #10AL	•	•
16375	-1	-2	-3	NA	600kcmil - #2CU-AL	(12) #4 - #14CU, #4 - #12AL	•	•
16376	-1	-2	-3	NA	600kcmil - #2CU-AL	(6) #2 - #14CU, #2 -8AL (3) 1/0 - #14CU, 1/0 - #8AL	•	•
16377	-1	-2	-3	NA	(2)300kcmil - #4CU-AL	(12) #4 - #14CU, #4 - #12AL	•	•
16528	-1	-2	-3	NA	(2) 600kcmil - #2CU-AL	(4) 3/0 - #6CU-AL (4) #4 - #14CU-AL	•	•
16530	-1	-2	-3	NA	(2) 500kcmil - #6CU-AL	(12) #4 - #14CU-AL	•	•
16541	-1	-2	-3	NA	500kcmil - #6CU-AL	(21) #6 - #14CU-AL	•	•

*SCCR up to 200kA. See additional information on data sheet #1049.

How To Order: Catalog Number + # of Poles

Example: 16021-3 (complete part number)

Dimensional information on page 3

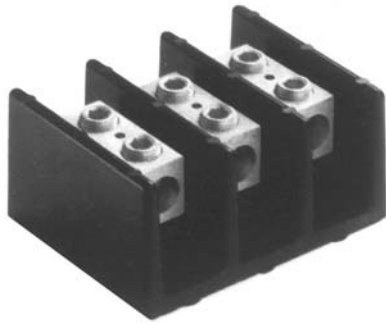
Optional covers:

- 160 Series: CPB160 - (pole)
- 162 Series: CPB162 - (pole)
- 163 Series: CPDB - (pole)
- 165 Series: CPDB165 (1 for each pole)

Power Distribution & Terminal Blocks

Splicer Terminal Blocks

600Vac/dc



Catalog Symbol: Splicer Terminal Blocks

Voltage Rating: 600Vac/dc maximum

SCCR: 10kA (except for select products noted)

Agency Information:

UL Recognized, Guide XCFR2, File E221592

CSA Certified, Class 6228-01, File 15364

Picture shown:

3-Pole - 1 opening on line per phase

1 opening on load per phase

Power Distribution Blocks (600V) Catalog Data

Catalog Number	1-Pole	2-Pole	3-Pole	4-Pole	Connection		Connector Material and Ampacity	UL	CSA
					Line	Load			
16000	NA	-2	-3	-4	2/0 - #8CU-AL	2/0 - #8CU-AL	AL-175A	•	—
16003	NA	-2	-3	-4	250kcmil - #6CU Only	250kcmil - #6CU Only	CU-255A	•	—
16005	NA	-2	-3	-4	350kcmil - #6CU-AL	350kcmil - #6CU-AL	AL-310A	•	—
16200	-1	-2	-3	NA	#2 - #14CU, #2 - #8AL	#2 - #14CU, #2 - #8AL	AL-115A	•	—
16201	-1	-2	-3	NA	1/0 - #14CU Only	1/0 - #14CU Only	CU-150A	•	—
16204*	-1	-2	-3	NA	2/0 - #8CU-AL	2/0 - #8CU-AL	AL-175A	•	—
16301	-1	-2	-3	NA	250kcmil - #6CU Only	250kcmil - #6CU Only	CU-255A	•	•
16303	-1	-2	-3	NA	350kcmil - #6CU-AL	350kcmil - #6CU-AL	AL-310A	•	•
16306	-1	-2	-3	NA	(1)500kcmil - #6CU-AL	(1)500kcmil - #6CU-AL	AL-380A	•	•
16500	-1	-2	-3	NA	(2) 350kcmil - #4CU-AL	(2) 350kcmil - #4CU-AL	AL-620A	•	•
16504	-1	-2	-3	NA	(2) 500kcmil - #6CU-AL	(2) 500kcmil - #6CU-AL	AL-760A	•	•

*SCCR up to 200kA. See additional information on data sheet #1049.
Dimensional information on page 3

Optional covers:

- 160 Series: CPB160 - (pole)
- 162 Series: CPB162 - (pole)
- 163 Series: CPDB - (pole)
- 165 Series: CPDB165 (1 for each pole)

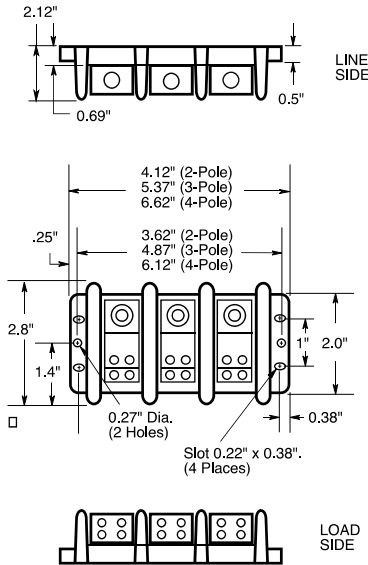
Power Distribution & Terminal Blocks

Connector-Stud and Stud-Stud Blocks

600Vac/dc

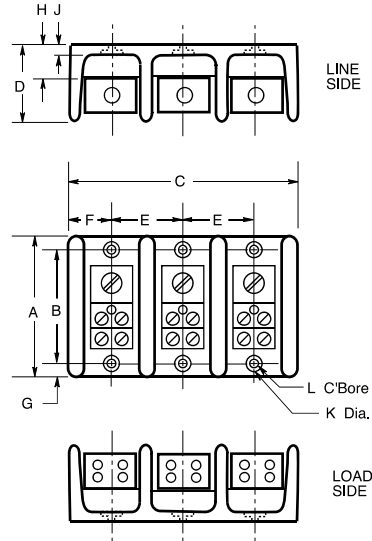


Series 160 (Available 2, 3, and 4 pole)
Dimensional Data



160 Series Bases have mounting holes outside the barriers. Other bases (162 through 165) have mounting holes within barriers—see dimensional drawings.

Catalog Symbol: Connector–Stud Block
Voltage Rating: 600Vac/dc maximum
SCCR: 10kA (except for select products noted)
Agency Information:
 UL Recognized, Guide XCFR2, File E221592
 CSA Certified, Class 6228-01, File 15364
Series 162, 163, and 165 Dimensional Data
(Available 1, 2, and 3 pole)



Dimensions for Series 162, 163, and 165

Cat. No.	A	B	C1	C2	C3	D	E	F	G	H	J	K	L
162	2.88	2.25	1.07	1.88	2.70	1.75	0.81	0.53	0.31	0.84	0.31	0.20	0.41
163	4.0	3.38	1.98	3.60	5.21	3.32	1.62	0.99	0.31	0.87	0.35	Slot .20" wide x .41" long	Slot .42" wide x .62" long
165	5.5	4.75	3.10"	5.79"	8.48"	2.93"	2.69	1.55"	0.38	1.19"	.44"	Slot .20" wide x .33" long	Slot .41" wide x .53" long

Connector-Stud Blocks (600V) Catalog Data

Catalog Number	1-Pole	2-Pole	3-Pole	Connection		Connector Material and Ampacity	UL	CSA
				Line	Load			
Connector – Stud								
16280*	-1	-2	-3	2/0 - #14CU-AL	¼ - 20 x ¾ Stud	AL-175A	•	—
16281	-1	-2	-3	2/0 - #14CU-AL	¼ - 20 Tapped hole	AL-175A	•	—
16378	-1	-2	-3	500kcmil - #6CU-AL	(2) ¼ - 20 x 1 Stud	AL-380A	•	•
16383	-1	-2	-3	500kcmil - #6CU-AL	(1) ⅜ - 16 x 1 Stud	AL-380A	•	•
16582	-1	-2	-3	(2) 500kcmil - #6CU-AL	(2) ⅜ - 16 x 1½ Stud	AL-760A	•	•
Stud – Stud								
16290	-1	-2	-3	¼ - 20 x ¾ Stud	¼ - 20 x ¾ Stud	CU-150A	•	—
16390	-1	-2	-3	⅜ - 16 x 1⅛ Stud	⅜ - 16 x 1⅛ Stud	CU-250A	•	•
16394	-1	-2	-3	½ - 13 x 1¼ Stud	½ - 13 x 1¼ Stud	CU-400A	•	•
16395	-1	-2	-3	⅜ - 16 x 1⅞ Stud	(2) ¼ - 20 x ⅞ Stud	CU-310A	•	•
16591	-1	-2	-3	⅜ - 16 x 1⅞ Stud	(2) ⅜ - 16 x 1⅞ Stud	CU-400A	•	—
16593	-1	-2	-3	½ - 13 x 1 Stud	½ - 13 x 1 Stud	CU-600A	•	•

*SCCR up to 200kA

The only controlled copy of this Data Sheet is the electronic read-only version located on the Cooper Bussmann Network Drive. All other copies of this document are by definition uncontrolled. This bulletin is intended to clearly present comprehensive product data and provide technical information that will help the end user with design applications. Cooper Bussmann reserves the right, without notice, to change design or construction of any products and to discontinue or limit distribution of any products. Cooper Bussmann also reserves the right to change or update, without notice, any technical information contained in this bulletin. Once a product has been selected, it should be tested by the user in all possible applications.