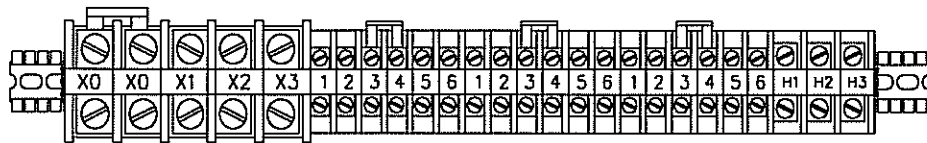
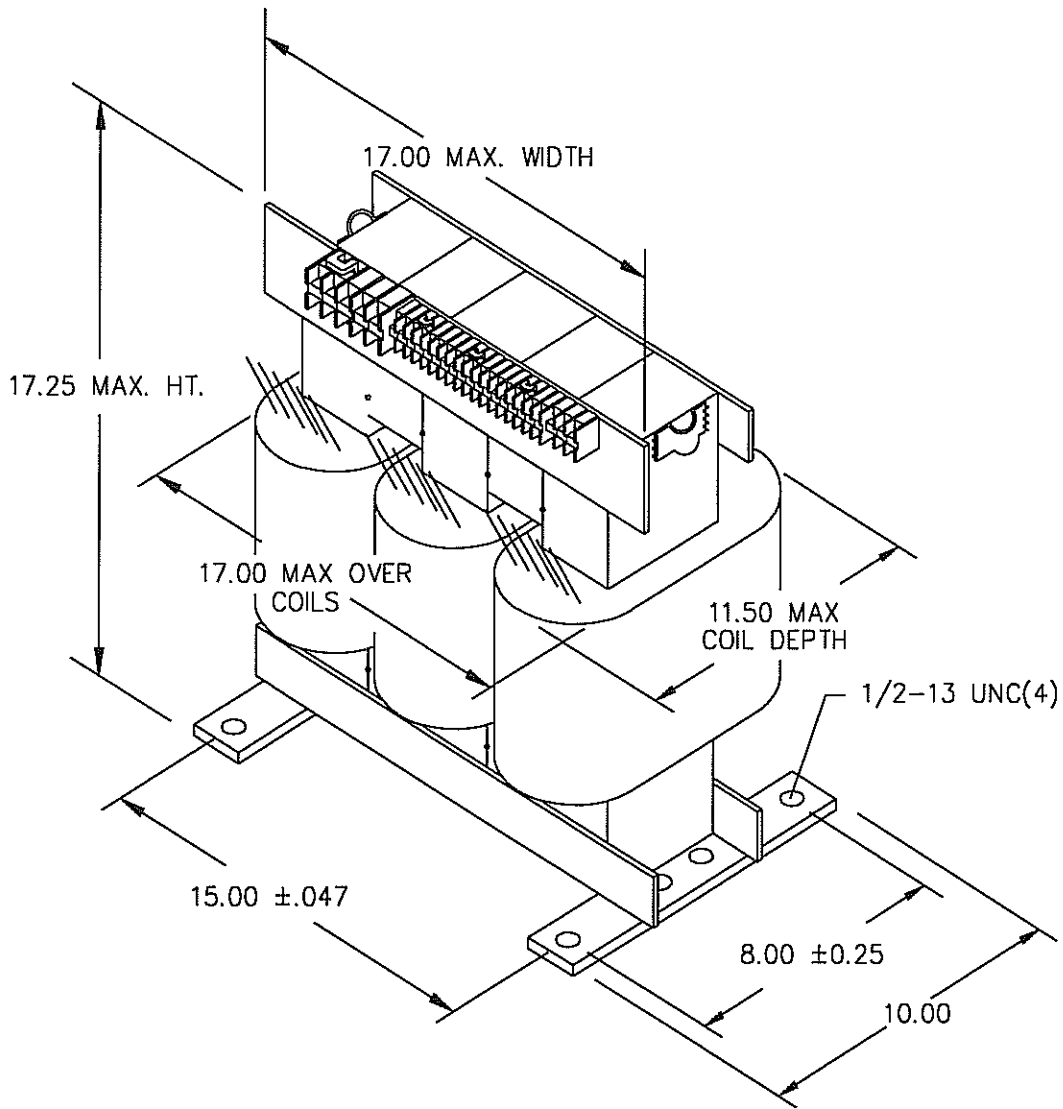


FOR APPROVAL ONLY



TERMINAL BLOCKS PER ALLEN BRADLEY DWG. 40022-052 PART NO. 5

NOTES : EXTRA HOLES ON BASE PLATE FOR MOUNTING TO SHIPPING SKID.



TITLE: 3PH DISTRIBUTION TRANSFORMER
MECHANICAL INFORMATION

NO.	DATE	BY	REVISION	DES: MCHRISTM
				DATE: 11/01/20
				SCALE: NTS

SHEET 2 OF 2

EDB 198319

37 001 361 107 1106 444444 6 0