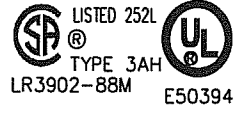


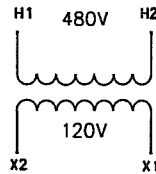
CROSS REFERENCE RA PART # PN-101501

H1 480V H2



CAT. NO.
PN-101501
5000 VA 1Ø
50/60 HZ

INDUSTRIAL CONTROL TRANSFORMER



198320
np1577-6580

X2 120V

MADE IN CANADA
X1

FOR APPROVAL ONLY



Hammond Power Solutions Inc.

TITLE: 1 PHASE CONTROL TRANSFORMER
NAMEPLATE INFORMATION

NO.	DATE	BY	REVISION

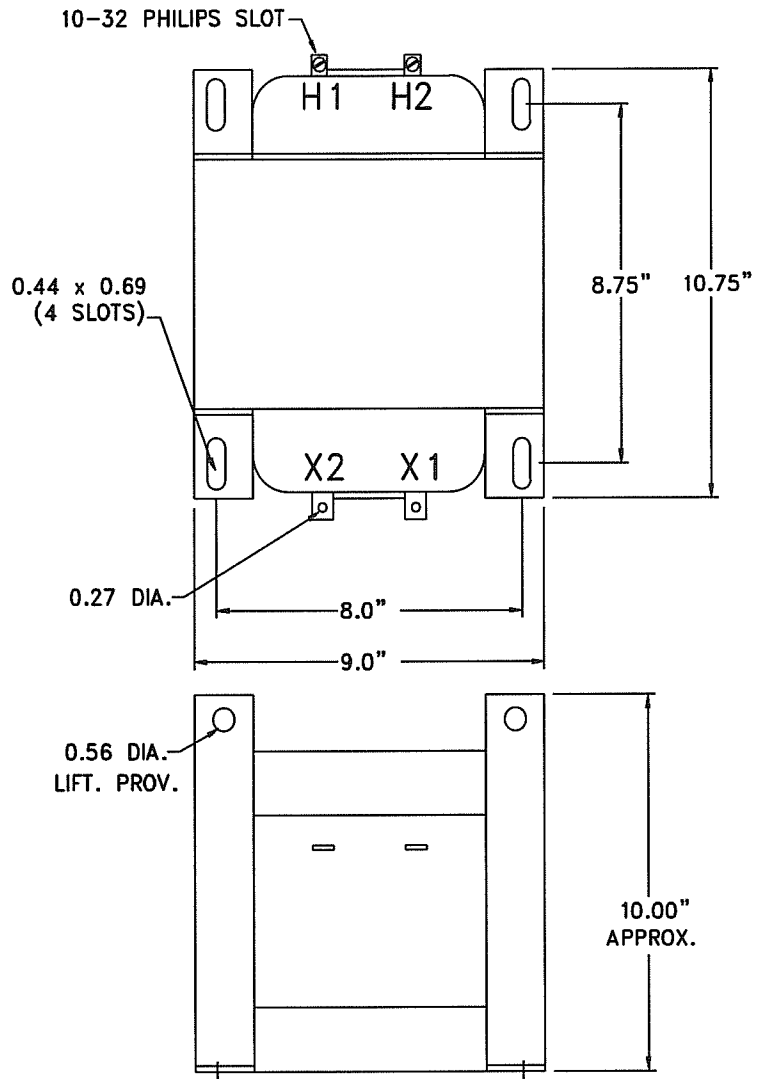
DES: LCEN
DATE: 11/01/20
SCALE: NTS

SHEET 1 OF 2

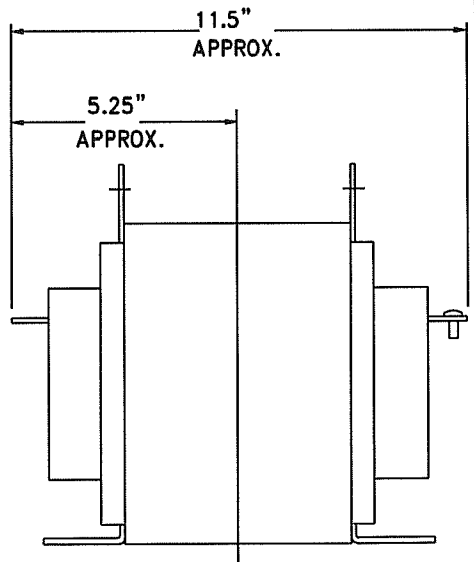
EDB 198320

10-1 5/4 1/11 11/10 574044 1.0

FOR APPROVAL ONLY



TOTAL WT.
APPROX. 125LBS



TITLE: 1 PHASE CONTROL TRANSFORMER				DES: LCEN
				DATE: 11/01/20
				SCALE: NTS
NO.	DATE	BY	REVISION	

SHEET 2 OF 2
EDB 198320

40-11 50/10/1100 40000-1 U