



Hammond Power Solutions Inc.

TITLE: 3PH DISTRIBUTION TRANSFORMER
NAMEPLATE INFORMATION

NO.	DATE	BY	REVISION	DES: GPATEL
				DATE: 11/11/13
				SCALE: NTS

SHEET 1 OF 2

EDB 201763

0.2 gpatel 2011/11/23 17:47

THREE PHASE DRY TYPE TRANSFORMER
ALLEN-BRADLEY
MILWAUKEE, WI. USA

ALLEN BRADLEY CAT. No.

PN-124258



E112313

LR3902

HV

LV

VOLTS	% RATED VOLTAGE	CONNECTION
630	105	1-2
615	102.5	2-3
600	100	3-4
585	97.5	4-5
570	95	5-6

V 600V

208Y/120V

KV BILL

H1 H2 H3

X0 X1 X2 X3

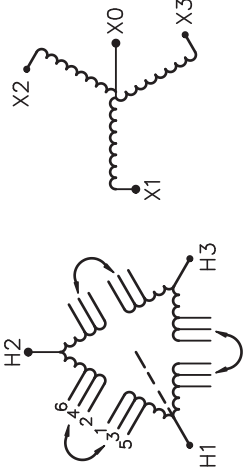
TEMP. RISE °C 150

TEMP. CLASS °C 220

FREQ. Hz 60

ENERGY EFFICIENCY C802.2-00

NEMA TP 1-2002



IMPEDANCE % @ 170 °C 4.1

ENCL. TYPE -

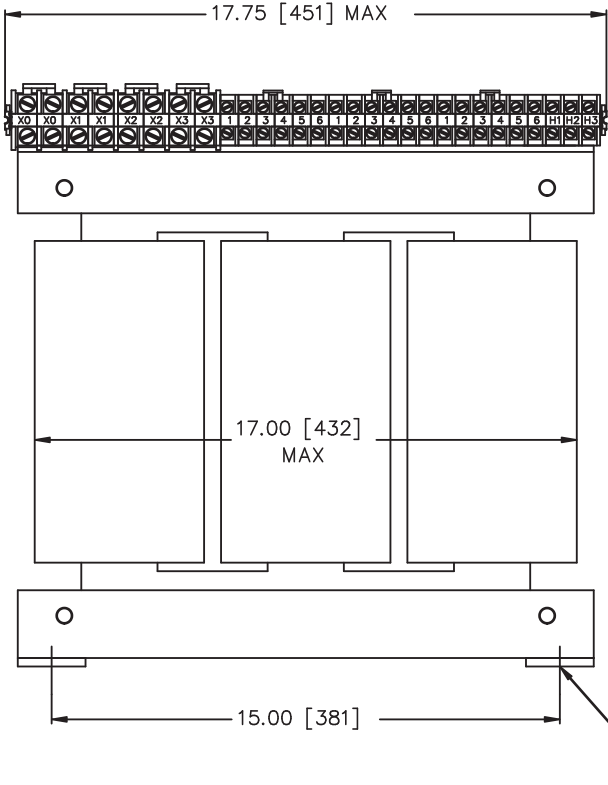
WEIGHT LBS 350

PART NO. 201763

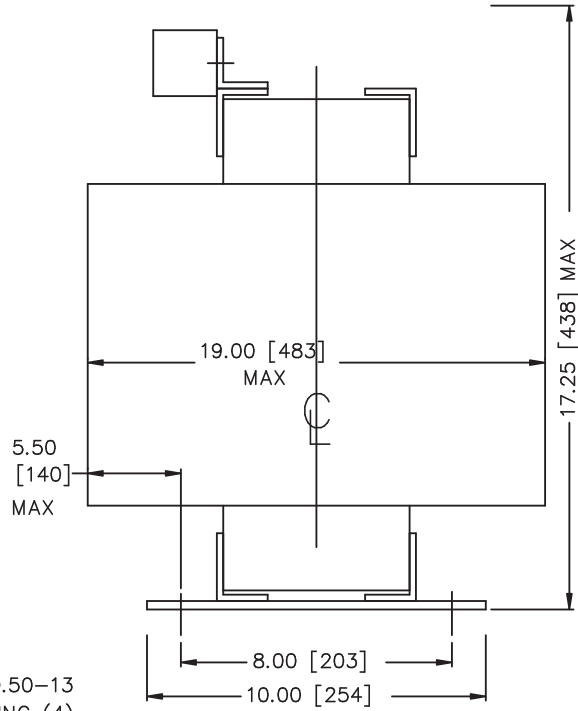
SERIAL NO:

cob3084e

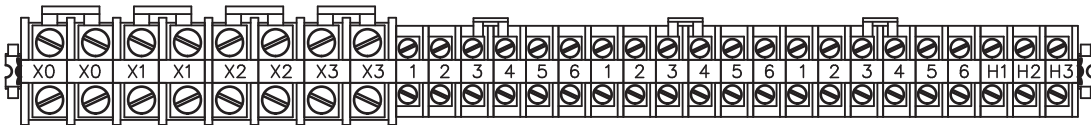
201763
COPPER WINDING



FRONT_VIEW



SIDE_VIEW



TERMINAL_BLOCK_DETAIL



TITLE: 3PH DISTRIBUTION TRANSFORMER
MECHANICAL INFORMATION

				DES: GPATEL
				DATE: 11/11/13
NO.	DATE	BY	REVISION	SCALE: NTS

SHEET 2 OF 2

EDB 201763

0.2 gpatel 2011/11/23 17:47