



Hammond Power Solutions Inc.

TITLE: 3PH DISTRIBUTION TRANSFORMER
NAMEPLATE INFORMATION

NO.	DATE	BY	REVISION	DES: GPATEL
				DATE: 11/11/14
				SCALE: NTS

SHEET 1 OF 2

EDB 201764

0.1 gpatel 2011/11/28 13:11

THREE PHASE DRY TYPE TRANSFORMER
ALLEN-BRADLEY
MILWAUKEE, WI. USA

ALLEN BRADLEY CAT. No.



LR3902 HV

E112313

HV

LV

PN-124263

KVA 30

CLASS AN

TYPE J

TEMP. RISE °C 130

TEMP. CLASS °C 200

FREQ. Hz 60

IMPEDANCE % @ 150 °C 3.9

ENCL. TYPE -

WEIGHT LBS 250

PART NO. 201764

SERIAL NO:

cob3084e

VOLTS	% RATED VOLTAGE	CONNECTION
630	105	1-2
615	102.5	2-3
600	100	3-4
585	97.5	4-5
570	95	5-6

201764
COPPER WINDING

V 600V

KV BILL

H1 H2 H3

CSA

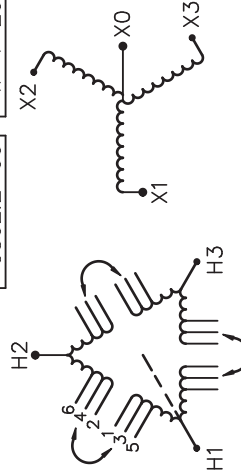
C802.2-00

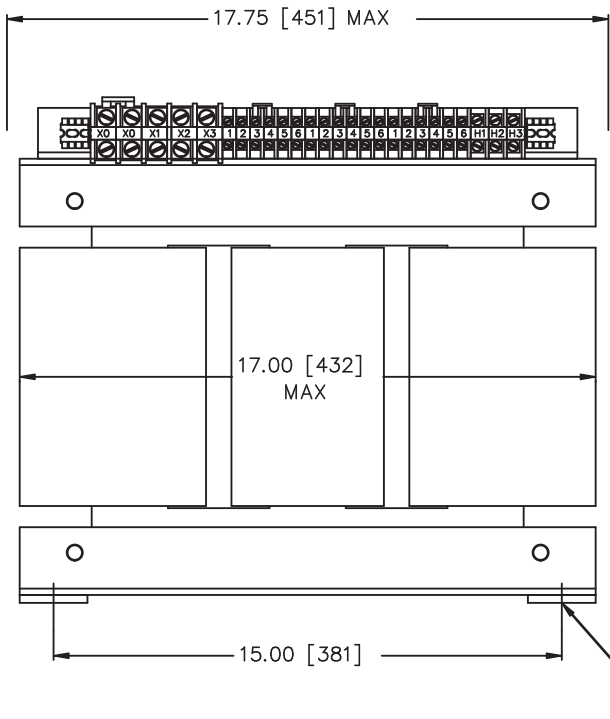
NEMA

TP 1-2002

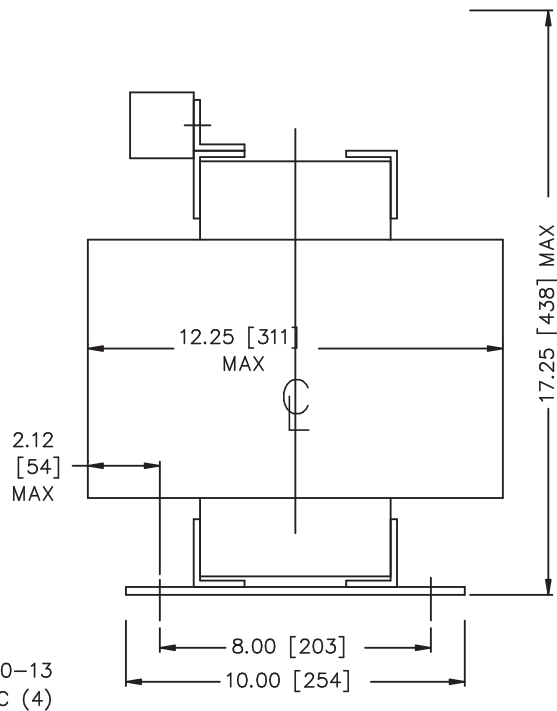
208Y/120V

X0 X1 X2 X3





FRONT_VIEW



SIDE_VIEW



TITLE: 3PH DISTRIBUTION TRANSFORMER
MECHANICAL INFORMATION

				DES: GPATEL
				DATE: 11/11/14
NO.	DATE	BY	REVISION	SCALE: NTS

SHEET 2 OF 2

EDB 201764

0.1 gpatel 2011/11/28 13:11