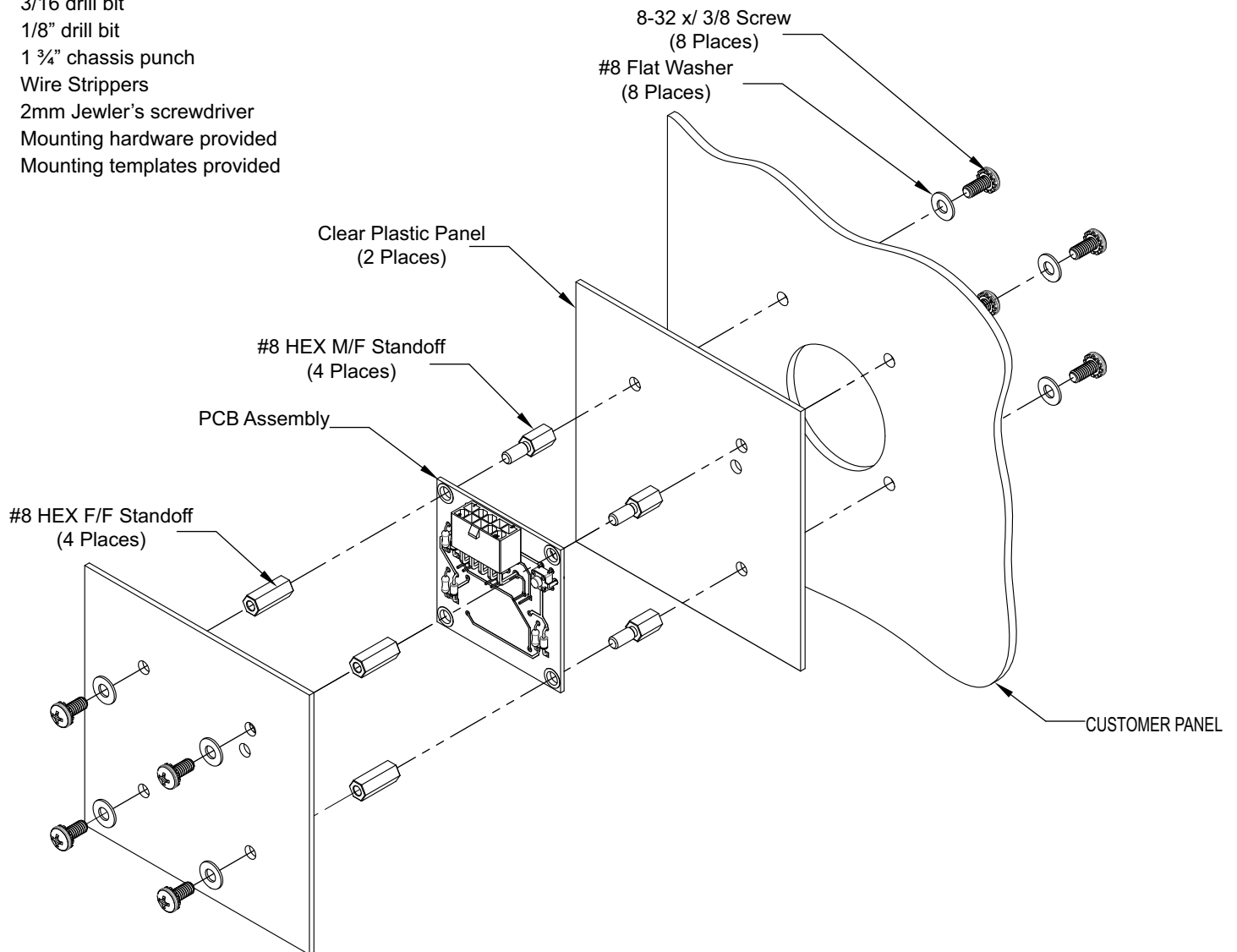




# Remote LED-Counter Install Instructions

## INSTALLER MATERIAL CHECKLIST

- 3/16" drill bit
- 1/8" drill bit
- 1 3/4" chassis punch
- Wire Strippers
- 2mm Jewler's screwdriver
- Mounting hardware provided
- Mounting templates provided



## GENERAL INSTALLATION

The Alarm board and remote LED/Counter board must be mounted securely into the cabinet.

The Alarm board mounts to a cabinet surface using 6 screws and standoffs. The standoffs are #4-40 threaded aluminum spacers. The provided drilling template may be used to mark holes and drill using a 1/8" drill bit.

The remote LED/Counter board mounts to the cabinet door using 4 screws and standoffs. These standoffs are #8-32 aluminum spacers. The provided template may be used to mark the 4 mounting holes and the center of the hole for a 1 3/4" hole used for a viewing window. A 1 3/4" chassis punch may be used to make this opening in the door. The PC board mounting screw holes can be made with a 3/16" drill bit.

The wire harness from the Remote Counter board has un-terminated wire ends. These must be cut to the proper length, the wires stripped and connected to the alarm board.

# REMOTE LED/SURGE COUNTER WIRING INSTRUCTIONS

## Surge Voltage Selection

The Surge counter voltage threshold is selectable using a jumper on JP3. There are 4 Line to Neutral voltage selections: 120V, 240, 277 and 380V.

## Remote LED/Counter Cable Connection

There are 4 screw terminal connectors that the Remote LED/Surge Counter wires connect to. 3 of the 4 connectors are two terminal connectors, they have very small slotted screw heads. Use a 2 mm jeweler's screwdriver to secure the wires to these connectors. The fourth connector is a three terminal connector. Use a 3 to 3.5 mm standard blade screwdriver to secure these connectors.

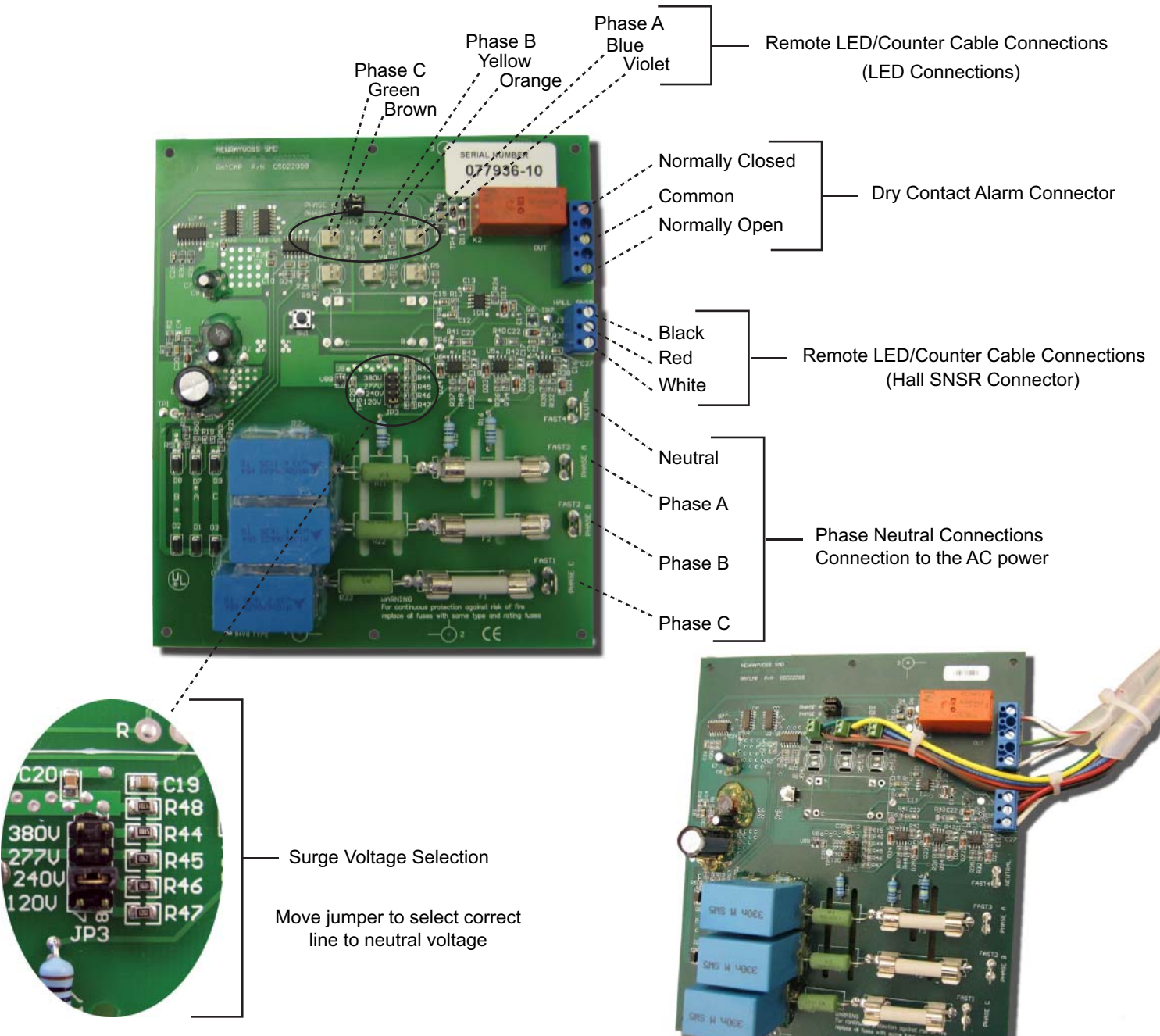
## Dry Contact Alarm Connection

There is also a Dry Contact Alarm Connector (J2). This 3 terminal connector requires a 3 to 3.5mm screwdriver. The center terminal is common. The top terminal is the normally open contact and the bottom terminal is the normally closed contact.

## Power/Neutral Connections

Power/Neutral connections to the alarm board are made using the spade terminals on the board. The cable will connect each of the spade terminal phases on the board to the Strikesorb module phases and to the Neutral connection.

All cables connected to the alarm board should be secured using wire ties for reliable connections.



For conditions other than those described above, please contact a Raycap Account Representative at (208) 777-1166, (800) 890-2569, or Fax (208) 777-4466 or [www.raycapsurgeprotection.com](http://www.raycapsurgeprotection.com)

Thank you for choosing quality products from Raycap