

FOR APPROVAL ONLY



TITLE: 3PH DISTRIBUTION TRANSFORMER NAMEPLATE INFORMATION			
DES:	CYU		
DATE:	12/02/22		
SCALE:	NTS		
NO.	DATE	BY	REVISION

SHEET 1 OF 2  
EDB 202900

0.0 root 2012/02/22 15:35

THREE PHASE DRY TYPE TRANSFORMER ALLEN BRADLEY CAT. No. PN-128669

ALLEN-BRADLEY MILWAUKEE, WI. USA

LR3902 HV E112313 LV

600V 208Y/120V

10 10

H1 H2 H3 X0 X1 X2 X3

CSA C802.2-00 NEMA TP 1-2002

VOLTS	% RATED VOLTAGE	CONNECTION
630	105	1-2
615	102.5	2-3
600	100	3-4
585	97.5	4-5
570	95	5-6
COPPER WINDING		

ENERGY EFFICIENCY C802.2-00 @ 170 °C

IMPEDANCE % 5

ENCL. TYPE -

WEIGHT LBS 315

PART NO. 202900

SERIAL NO. cob3084e

TEMP. RISE °C 150

TEMP. CLASS °C 220

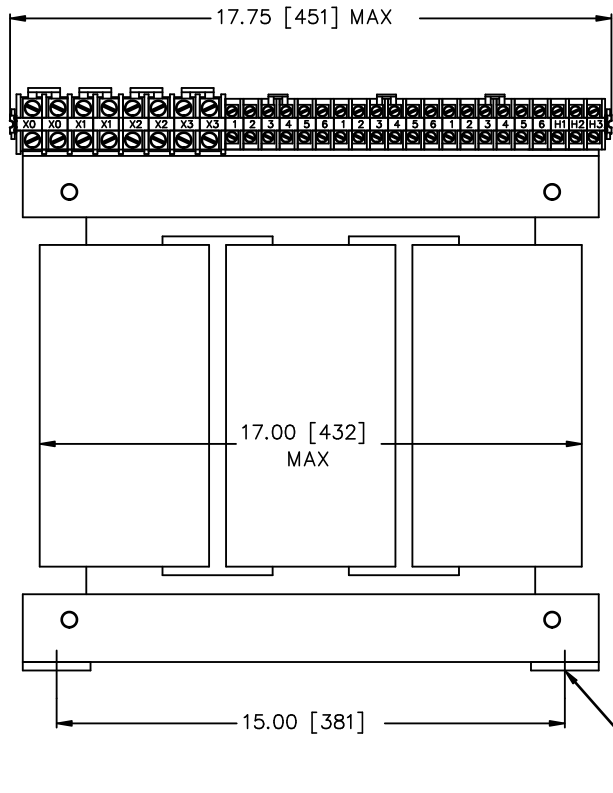
FREQ. Hz 60

CLASS AN

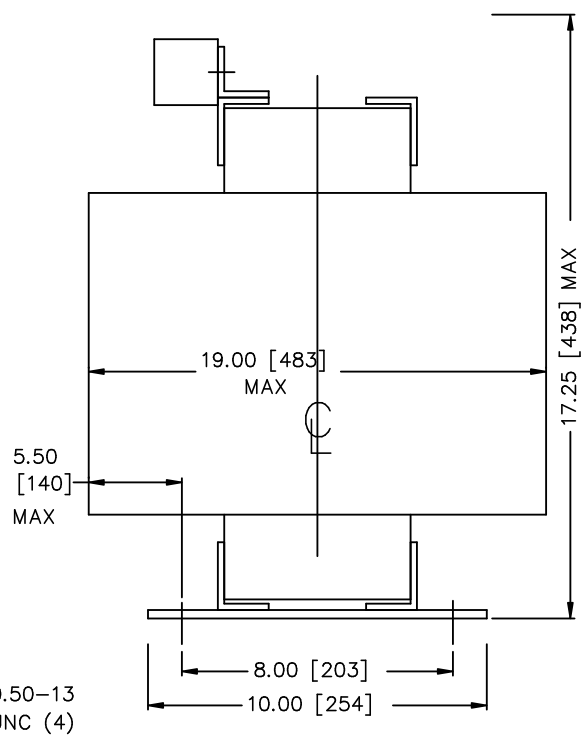
KVA 45

TYPE J

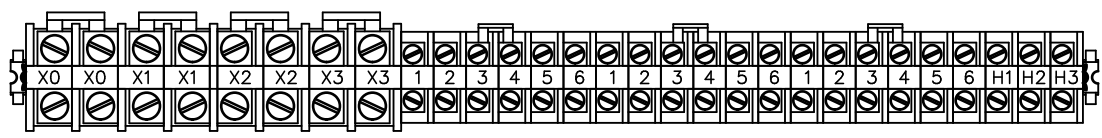
FOR APPROVAL ONLY



FRONT\_VIEW



SIDE\_VIEW



TERMINAL\_BLOCK\_DETAIL



TITLE: 3PH DISTRIBUTION TRANSFORMER MECHANICAL INFORMATION				DES: CYU
				DATE: 12/02/22
NO.	DATE	BY	REVISION	SCALE: NTS

SHEET 2 OF 2

EDB 202900