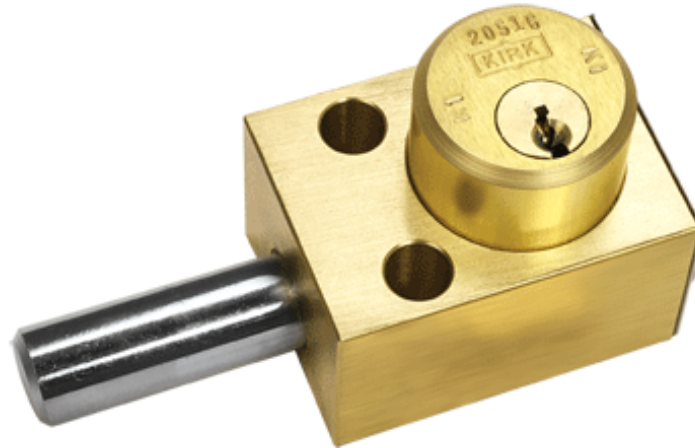


**SD SERIES - SPECIFICATION DATA SHEET 1.1**[www.kirkkey.com](http://www.kirkkey.com)**Kirk Key Interlock Company**

211 Wetmore Ave. S.E., Massillon, OH 44646

Phone: 330.833.8223 • Fax: 330.833.1528 • Toll Free: 800.438.2442

Email: [sales@kirkkey.com](mailto:sales@kirkkey.com)**Type F - Flat Mounted**

The Type F interlock is generally flat or face mounted with bolts through the front of the housing. The body of the lock is brass and the locking bolt is made of 5/8" diameter stainless steel. The throw, or travel, of the locking bolt is 3/4".

**OPTIONS**

- Locking Bolt Length - when ordering, specify the length of the locking bolt in the withdrawn position. Standard lengths are 1/4", 3/8", 1/2", 3/4", 1", 2", and 3". Non-standard lengths are also available. (1" Lock Bolt shown on drawing)
- Key Removable - the key(s) is removable when the locking bolt is either in the extended (E) or withdrawn (W) position. Please choose E or W when ordering an interlock. Key removable extended is the most common because the locking bolt is typically extended to block/engage something.
- Multi-Cylinder - up to 15 cylinders available. Housings with 5 cylinders or more come with mounting holes at each end of the housing. Designate "E" or "W" key removable position for each cylinder.
- Stamp Key Interchange - specify an alphanumeric code to be stamped on the cylinder face and the key (e.g. A1, A2, B1, etc. - up to 5 characters). See SD Series Data Sheet for Keys (3.4) and Terminology (4.1) for details.
- Auxiliary Switches - see SD Series Data Sheets for Type Thermoplastic (2.3), Type S (2.4) and Type K (2.5) for details.
- Dust Covers - see SD Series Data Sheet for Dust Covers (3.1) for details.
- Mounting Bolts - see SD Series Data Sheet for Mounting Bolts (3.2) for details.
- "Opposite Hand" - see SD Series Data Sheet for Terminology (4.1) for details.

# SD SERIES - SPECIFICATION DATA SHEET 1.1



www.kirkkey.com

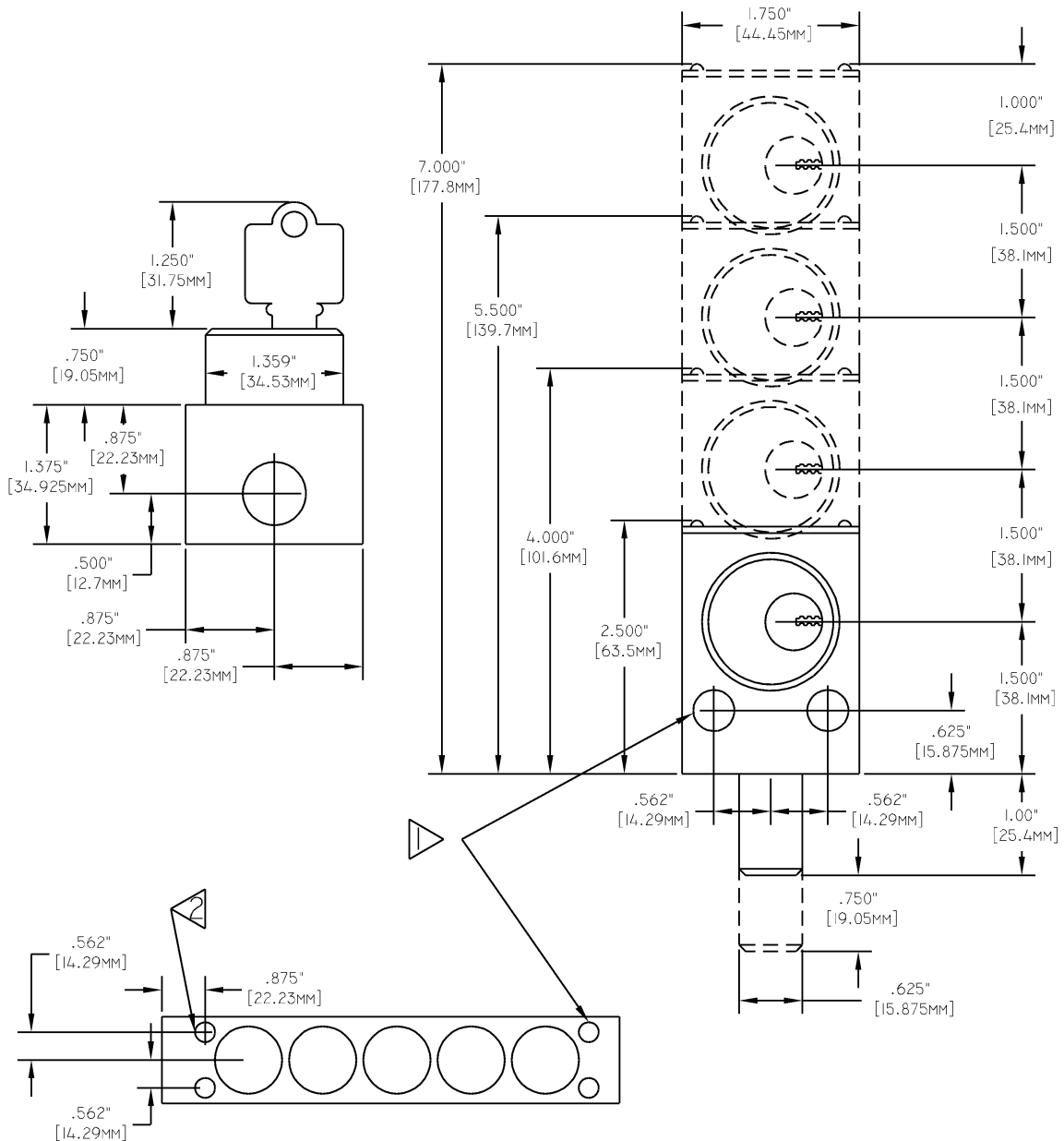
## Kirk Key Interlock Company

211 Wetmore Ave. S.E., Massillon, OH 44646

Phone: 330.833.8223 • Fax: 330.833.1528 • Toll Free: 800.438.2442

Email: sales@kirkkey.com

## Type F - Flat Mounted



### NOTES:

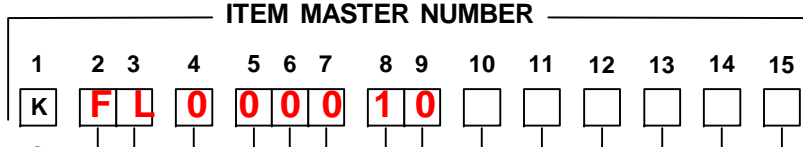
- 1) 0.4062" (10.32mm) holes for mounting bolts (2 holes).
- 2) Mounting holes for locks with 5 or more cylinders. Type F interlocks with five or more cylinders will have mounting holes at each end of the interlock. The rear mounting holes are 7/8" (22.23mm) from the end. The total length of the five cylinder Type F interlock is 9 1/2" (24.13cm) . Add 1 1/2" (38.1mm) for every additional cylinder.

# SD Series - Interlock Item Ordering Guide

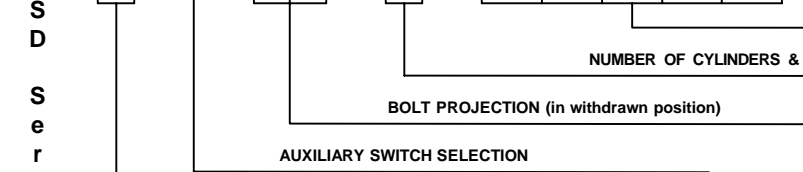
Kirk Key Interlock Company

**KFL000010**

\* REQUIRED INFORMATION \*



- Type of Interlock (Columns 2 & 3)
- Auxiliary Switch Requirements (Column 4)
- Bolt Projection (measured in withdrawn position) special lengths may be added (Columns 5, 6 & 7)
- Number of Cylinders and Key Removable Position (Columns 8 & 9)
- Options desired (where applicable)
- Ultimate End User, name and location
- Key Interchange
- Coordination Requirements
- Quantity



OPTIONS: Where applicable. If none required, leave blank

TYPE

F	L	FLAT MOUNTED (F) - SD Data Sheet 1.1
F	N	END MOUNTED (FN) NARROW - SD Data Sheet 1.7
N	T	TOP MOUNTED (NT) NARROW - SD Data Sheet 1.8
B	L	BASE MOUNTED (B) - SD Data Sheet 1.2
D	L	DOOR MOUNTED (D) - SD Data Sheet 1.4
T	R	TRANSFER (T) - SD Data Sheet 1.3
P	L	PADLOCK - SD Data Sheet 1.11
C	4	CN22 CYLINDER 301786104 - SD Data Sheet 1.10
Y	1	SUB PANEL MOUNTED (DY1) - SD Data Sheet 1.12
Y	2	END MOUNTED (DY2) - SD Data Sheet 1.13
Y	3	FLUSH MOUNTED (DY3) - SD Data Sheet 1.14
Y	4	END MOUNTED (w/ weld plate) (DY4)
D	M	ACCESS DOOR (DM) - SD Data Sheet 1.5
U	L	End Mounted (U) - SD Data Sheet 1.9

COLUMN 4

NONE	0
K DP/DT	1
S	3
SS	4
SSS	5
SSSS	6
2 N/O 1 N/C*	A
4 N/O 2 N/C*	B

COLUMNS 5,6,7

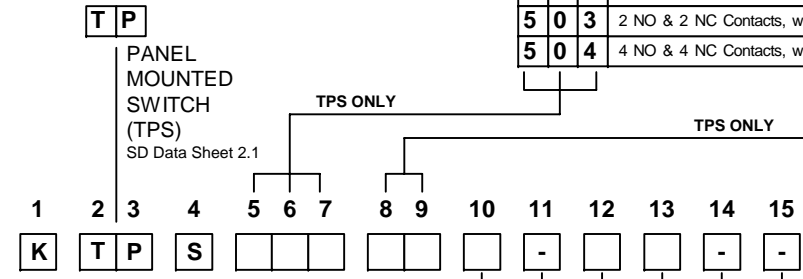
-	-	-	
0	0	0	0", 0mm
0	2	5	1/4", 6.4mm
0	3	7	3/8", 9.5mm
0	5	0	1/2", 12.7mm
0	6	2	5/8", 15.8mm
0	7	5	3/4", 19.1mm
1	0	0	1", 25.4mm
1	2	5	1-1/4", 31.7mm
1	3	7	1-3/8", 34.9mm
1	5	0	1-1/2", 38.1mm
2	0	0	2", 50.8mm
3	0	0	3", 76.2mm

\* Denotes status of the contacts with locking bolt in withdrawn position.  
See SD Data Sheets 2.3 (A&B), 2.4 (S Switches), 2.5 (DP/DT)

Be sure to put dashes in columns 5,6 & 7 when ordering Door Locks, Transfer Locks, Padlocks, CN22's and DY Locks.

COLUMNS 5,6,7 TPS ONLY

5	0	1	2 NO & 2 NC Contacts, without spacers
5	0	2	4 NO & 4 NC Contacts, without spacers
5	0	3	2 NO & 2 NC Contacts, with spacers for flush mount
5	0	4	4 NO & 4 NC Contacts, with spacers for flush mount



Columns 8 & 9, TPS Only

1 CYL	1	0	E
2 CYL	2	0	E E
2 CYL	2	1	W E

OPTIONS: Where applicable (only 10, 12, 13 apply). If none required, leave blank.

COLUMN 8

COLUMN 9

1 CYL	1	0	E
1 CYL	1	1	W
2 CYL	2	0	E E
2 CYL	2	1	E W
3 CYL	3	0	E E E
3 CYL	3	1	E E W
3 CYL	3	2	E W W
4 CYL	4	0	E E E E
4 CYL	4	1	E E E W
4 CYL	4	2	E E W W
4 CYL	4	3	E W W W
5 CYL	5	0	E E E E E
5 CYL	5	1	E E E E W
5 CYL	5	2	E E E W W
5 CYL	5	3	E E W W W
5 CYL	5	4	E W W W W
6 CYL	6	0	E E E E E E
6 CYL	6	1	E E E E E W
6 CYL	6	2	E E E E W W
6 CYL	6	3	E E E W W W
6 CYL	6	4	E E W W W W
6 CYL	6	5	E W W W W W
7 CYL	7	0	
8 CYL	8	0	
9 CYL	9	0	Same pattern of key removable positions applies to 7-12 cylinders
10 CYL	A	0	
11 CYL	B	0	
12 CYL	C	0	

- OPTIONS DESCRIPTION
- COLUMN 10 **S** STAMP KEY INTERCHANGE  
See SD Data Sheet 3.4 and 4.1
- COLUMN 11 **H** OPPOSITE HAND  
See SD Data Sheet 4.1
- COLUMN 12 **C** PUSH ON DUST COVER  
**F** FLIP OPEN COVER  
See SD Data Sheet 3.1
- COLUMN 13 **M** HEX MOUNTING BOLTS  
**T** TAMPERPROOF BOLTS  
Tamperproof Tools available.  
(See SD Data Sheet 3.2)
- COLUMN 14 **P** ADAPTER PLATES  
(Short D, Long D, FN - See SD Data Sheet 3.3)
- COLUMN 15 **A** DY LATCH BLOCK LONGITUDINAL  
For latch block w/ U-Bolt & chain, please specify in description.  
**B** DY LATCH BLOCK TRANSVERSE  
**R** An "R" in column 15 denotes reversing the switch housing in relationship to the interlock - if a switch is selected in column 4.  
(See SD Data Sheets 2.4 and 2.5)



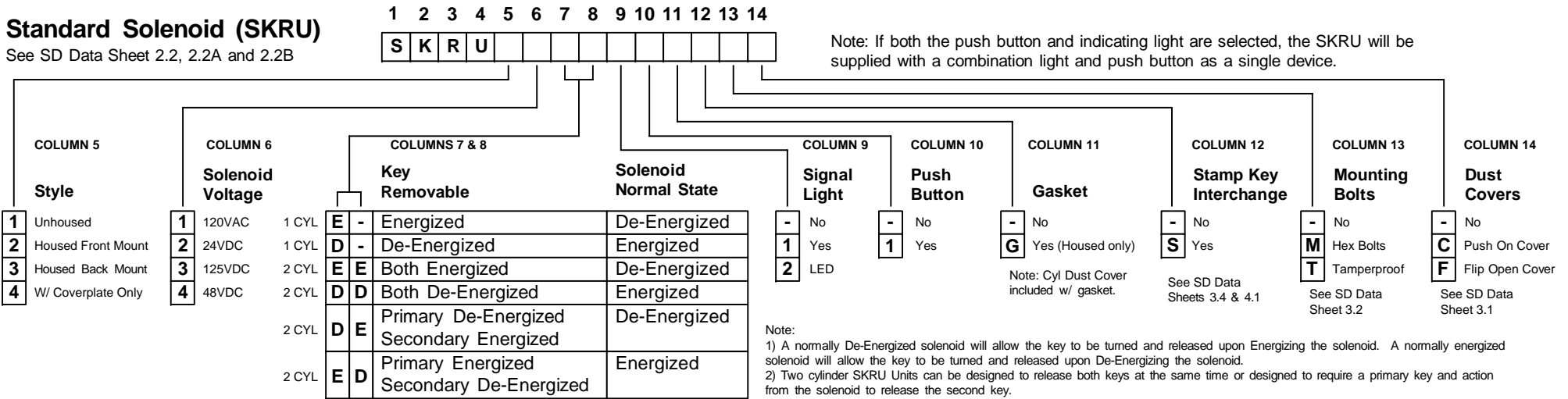
**Kirk Key Interlock Company**  
211 Wetmore Ave S.E., Massillon, Ohio 44646  
Ph: 330.833.8223 Fax: 330.833.1528  
Toll Free: 800.438.2442

# SD Series - Interlock Item Ordering Guide

Kirk Key Interlock Company

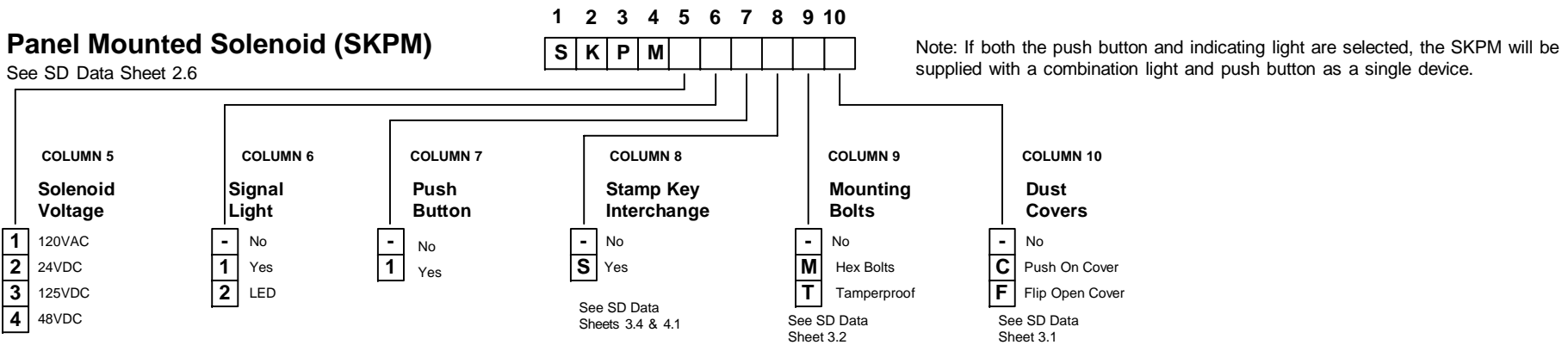
## Standard Solenoid (SKRU)

See SD Data Sheet 2.2, 2.2A and 2.2B



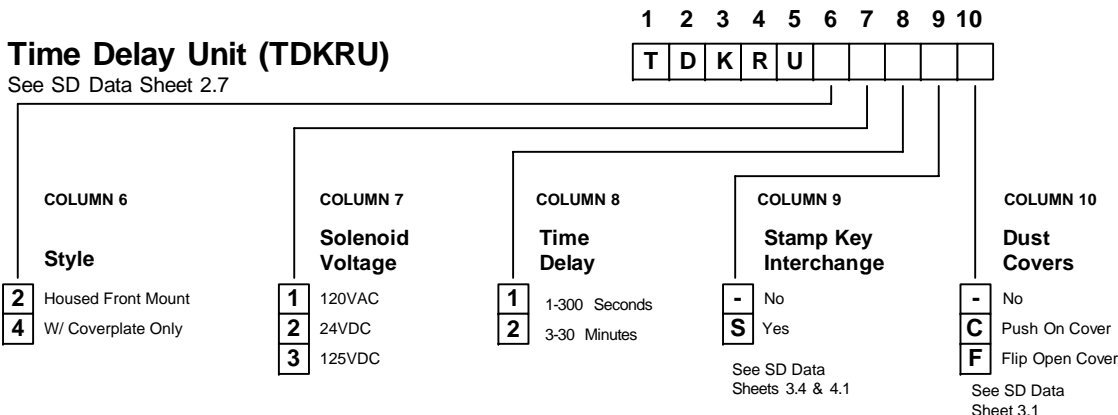
## Panel Mounted Solenoid (SKPM)

See SD Data Sheet 2.6



## Time Delay Unit (TDKRU)

See SD Data Sheet 2.7



Kirk Key Interlock Company

211 Wetmore Ave S.E., Massillon, Ohio 44646

Ph: 330.833.8223 Fax: 330.833.1528

Toll Free: 800.438.2442