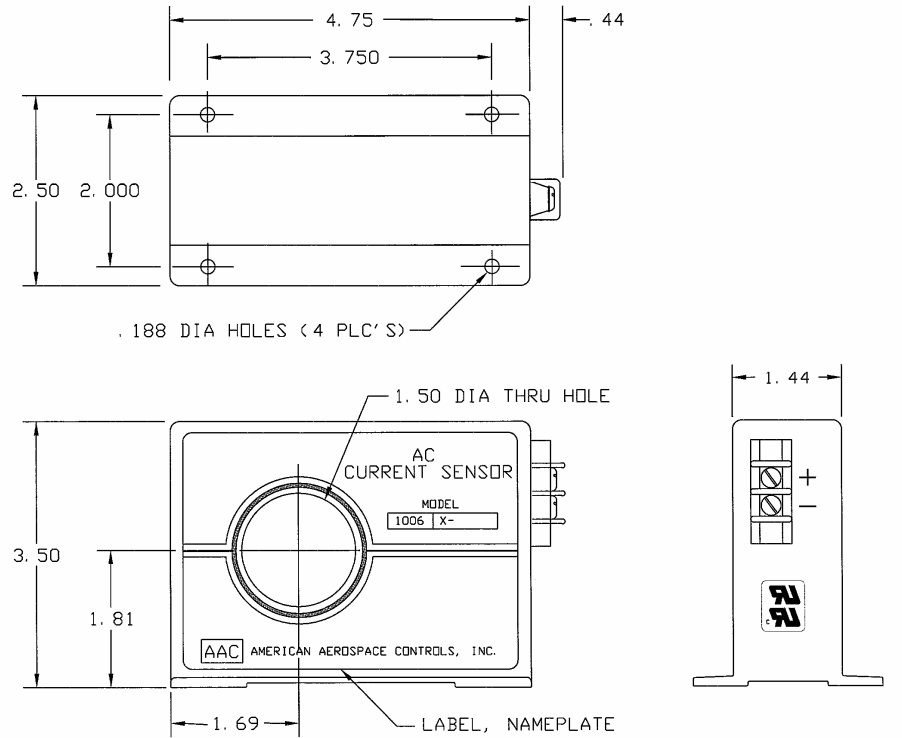


Dimensions in Inches, Tolerances: .XX ± .03 .XXX ± .010

**AC CURRENT TRANSDUCER  
SERIES 1006X  
4 TO 20mA 2 WIRE LOOP POWER**



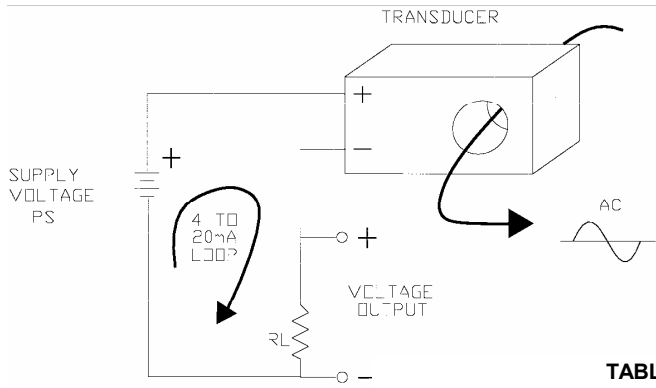
PART NO.	INPUT CURRENT	PART NO.	INPUT CURRENT
1006X-5	0 to 5	1006X-200	0 to 200
1006X-10	0 to 10	1006X-250	0 to 250
1006X-20	0 to 20	1006X-300	0 to 300
1006X-25	0 to 25	1006X-400	0 to 400
1006X-30	0 to 30	1006X-500	0 to 500
1006X-50	0 to 50	1006X-600	0 to 600
1006X-75	0 to 75	1006X-800	0 to 800
1006X-100	0 to 100	1006X-1000	0 to 1000
1006X-150	0 to 150	1006X-1200	0 to 1200

**INPUT CURRENT**  
 RANGE..... See Table  
 FREQUENCY ..... 50 & 60 Hz  
 OVERLOAD CONTINUOUS..... 500Aac or two X FS which ever is greater to a maximum of 1750A

**OUTPUT**  
 VOLTAGE SIGNAL..... 4 to 20mAdc FS (Full Scale)  
 ACCURACY ..... ±0.5% FS (±0.1mA) Over Temperature Range  
 RIPPLE..... .2% FS Typical  
 RESPONSE (10 to 90%) ..... 100 m-sec max.  
 TEMPERATURE COEFFICIENT ..... ±0.02% FS/°C max.  
 LOAD RESISTANCE (RL) ..... 250 Ohms Nominal  
 LOAD RESISTANCE RANGE ..... 0 to 1400 Ohms (See Table II)  
 REPEATABILITY ..... ±0.1% FS  
 CURRENT SIGNAL @ OVERLOAD ..... 30mA Typical  
 PROTECTION ..... Reverse Polarity Protected

**POWER SUPPLY**  
 SUPPLY VOLTAGE (PS) ..... 15Vdc Nominal  
 CURRENT DRAIN ..... 20mA  
 SUPPLY VOLTAGE RANGE ..... 10 to 35Vdc (See Table II)

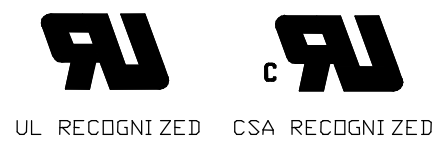
**ENVIRONMENTAL AND PHYSICAL CHARACTERISTICS**  
 OPERATING TEMPERATURE RANGE -20° to +70°C  
 STORAGE TEMPERATURE RANGE... -55° to +85°C  
 ISOLATION ..... Input/Output/Case  
 CONDUCTOR CABLE VOLTAGE ..... 1.5KV max. (5KV with Insul. Cable)  
 CASE..... Molded Plastic meets UL flammability rating 94V-0  
 WEIGHT ..... 1.2 lbs. max.



**TERMINALS:**  
 5-40 SCREWS, 3/8" CENTER TO CENTER SPACING,  
 ACCEPTS WIRE SIZES UP TO 14 AWG. AND WIRE  
 LUGS UP TO 9/32" WIDE.  
 $RL = VX + (.02)RL$   
 $VX = 6V$   
 $RL = 6V + (.02)(1400) = 34Vdc$

**TABLE II  
SUPPLY (PS) VS LOAD RESISTANCE (RL)**

SUPPLY	LOAD RESISTANCE
11Vdc	0 to 250 Ohms
16Vdc	0 to 500 Ohms
21Vdc	0 to 750 Ohms
26Vdc	0 to 1000 Ohms
28Vdc	0 to 1100 Ohms
34Vdc	0 to 1400 Ohms



<b>AAC</b>	<b>Drawing Number 700-1006X</b>	<b>Rev. L</b>
------------	-------------------------------------	-------------------