

Product Application

The Protector Surge Protective Device (SPD) protects electronic equipment from damaging transients. The Protector is suitable for high, medium and low exposure levels, and sensitive, mission-critical load applications including:

- Switchboards/main panels.
- Distribution panels.
- Branch panels.
- Critical load centers.
- Dedicated load protection.
- VFDs (Variable Frequency Drives).
- Motor protection.

General Description

Since 1980, Eaton's Innovative Technology has been designing and producing SPDs that provide field-proven power quality solutions worldwide. The Protector is a rugged device that is easy to install adjacent or even internal to electrical equipment. Based on extensive proven field performance, Innovative Technology was the first to offer a 20-year full replacement warranty for the Protector. Electrical engineers around the world recognize Innovative Technology as a leader in the SPD industry. A leading research company in a survey of over 10,000 users rated Innovative Technology No. 1 in both product quality and service. Protector products are listed to UL 1449 3rd edition and have a complementary UL 1283 listing. All Eaton's Innovative Technology products are manufactured in an ISO® 9001:2000 and ISO 14001 certified facility.



Protector Models



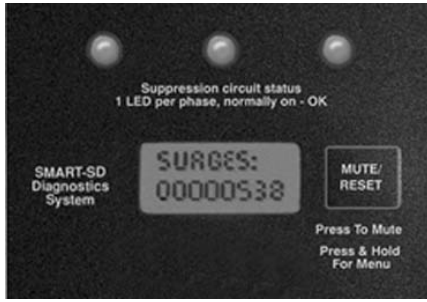
Reliable Circuit Design

Features, Functions and Benefits

- Advanced surge path technology for high fault current capacity, low impedance, high frequency design.
- Encapsulation technology provides a high dielectric and ultimate protection from adverse environmental conditions.
- Industry best Nominal Discharge Current (I_n) of 20kA
- Rugged NEMA® Type 4 (IP66) powder coated steel enclosure.
- Large diameter MOVs (Metal Oxide Varistors) provide long life under high stress transient environments.
- Dry Form C contacts for remote status monitoring.
- LED monitoring on each phase.
- 20-year free replacement warranty.
- Wide range of voltage applications from 120 to 4160 Vac.

Optional Features

- NEMA Type 4X stainless steel enclosure provides unparalleled corrosion protection and environmental strength for the most adverse installation conditions.
- Enhanced filtering, Active Tracking Network® (ATN) provides the best in transient protection against the continuous barrage of everyday transients; this filter is also UL 1283 listed as an EMI/RFI filter.
- Available integral circuit breaker and disconnect switch for convenient installation and maintenance.
- Available integral circuit breaker for installations requiring no external over current protection.
- S.M.A.R.T. diagnostics provide state-of-the-art diagnostics in the form of a digital surge event counter and audible alarm in conjunction with the standard status indicator lamps.
- Available flush mount for recessed installations.



S.M.A.R.T. Diagnostics Panel

S.M.A.R.T.™ Diagnostics

- Comprehensive monitoring of critical system functions.
- Real-time audible and visual reporting of unit status, phase loss/protection loss and transient events (alarm with reset and mute).
- Records low, medium, and high surge events in approximate accordance with ANSI C62.41-1991, Type A, B, and C surge levels.
- Dual function surge counter provides non-volatile event history recording.

Standards and Certifications

- Listed to UL1449 3rd Edition Surge Protective Devices (SPD)
- UL 1283 UL 1283 complementary listed.
- CE marked (PTX/E048, PTX/E065 PTX/E080, PTX160).
- All Eaton’s Innovative Technology Protector units have been tested as per NEMA LS-1 and ANSI/IEEE C62.45.

Product Specifications

Table 1. Protector Series Specifications

Description	Specification
kA per Phase	48, 65, 80, 120, 160, 240, 300, 400
kA per Mode	24 to 200
Nominal Discharge Current (I _n)	20kA (Models 120, 160, 240, 300 & 400kA per phase) 10kA (Models 48, 65 & 80kA per phase)
Protection Modes	Wye System: L-L, L-N, L-G & N-G / Delta System: L-L, L-G Split Phase System: L-L, L-N, L-G & N-G
Wye System Voltages	100/175, 110/190, 120/208 , 127/220, 220/380, 230/400, 240/415, 277/480 , 305/525, 347/600
Delta System Voltages	200, 208, 220 , 230, 240 , 380, 400, 415, 440, 480 , 525, 600
Split-Phase Voltages	100/200, 110/220, 120/240 , 127/254
Single-Phase Voltages	100, 110, 120 , 127, 200, 208, 220, 230, 240 , 277
Medium Voltage	1000, 1500, 2000, 2500, 3000, 3500, 4160

Note: U.S. voltages in bold.

Table 2. Protector Let-Through Voltage Ratings

Ratings	L-L	L-G	L-N	N-G	Delta System	
					L-L	L-G

ANSI IEEE Cat A1

120/240 V; 120/208 V Wye; 240 V Delta	90	100	60	60	70	590
277/480 V Wye; 480 V Delta	100	120	70	70	60	1100
347/600 V Wye ; 600 V Delta	90	120	70	70	40	1100

ANSI IEEE Cat C3

120/240 V; 120/208 V Wye; 240 V Delta	1240	1000	830	890	1260	1420
277/480 V Wye; 480 V Delta	2060	1580	1370	1370	2120	2130
347/600 V Wye ; 600 V Delta	2570	1880	1680	1700	2670	2640

ANSI IEEE Cat B3/C1

120/240 V; 120/208 V Wye; 240 V Delta	900	550	520	520	860	850
277/480 V Wye; 480 V Delta	1640	1050	980	940	1990	1840
347/600 V Wye ; 600 V Delta	2110	1320	1250	1210	2090	2040

UL 1449, 3rd Edition Voltage Protection Rating

120/240 V, 120/208 V Wye, 240 V	900	6700	600	600	1000	1000
Delta, 277/480 V Wye, 480 V Delta,	1800	1000	1000	1000	1500	1800
347/600 V Wye , 600 V Delta	2000	1200	1200	1200	2000	2000

Notes: All tests performed with 6" lead length, positive polarity. Voltages are peak ±10%. All measurements are taken from the zero reference per NEMA LS-1.

Let-through voltage figures shown are for selected models and vary per Protector model. See individual submittal specification sheets for specific let-through voltage measurements.

Standard Dimensions — Inches (mm)

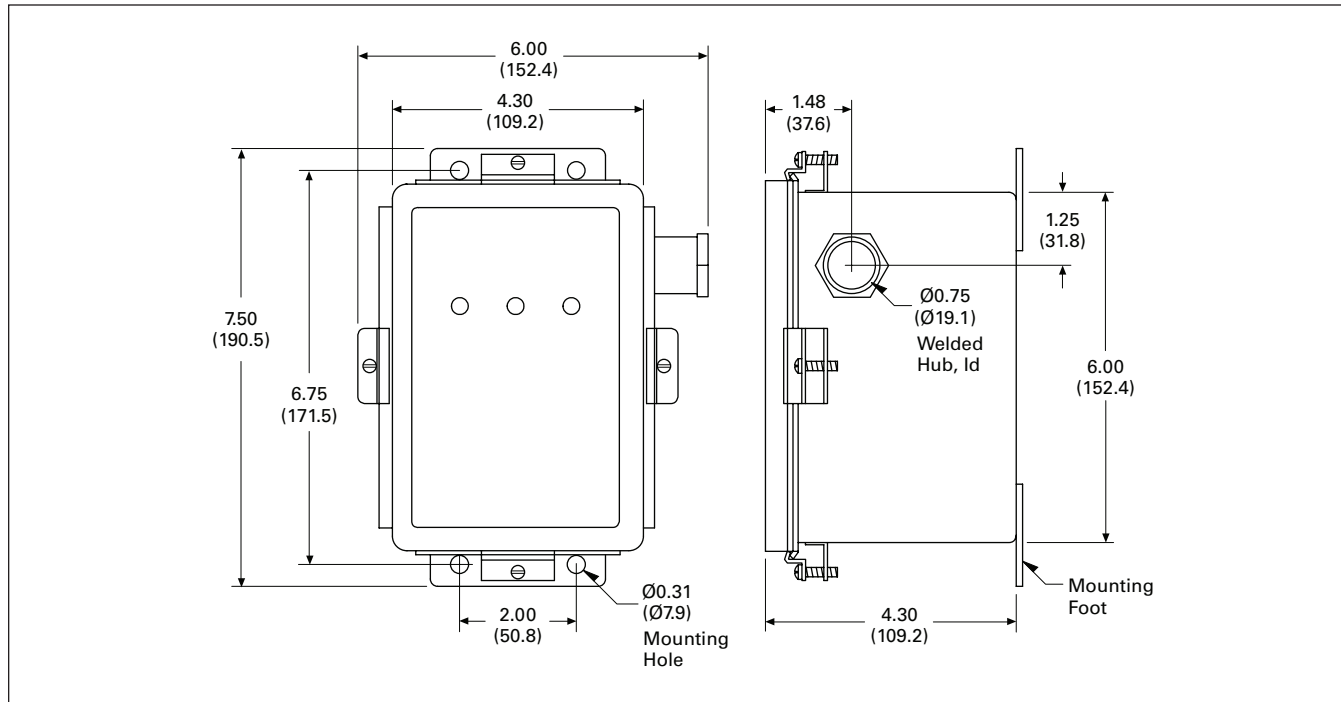


Figure 1. Protector Series for PTE048, 065, 080 Models 1P101, 1S101, 3Y101, 3D101 and PTX048, 065, 080 All Models

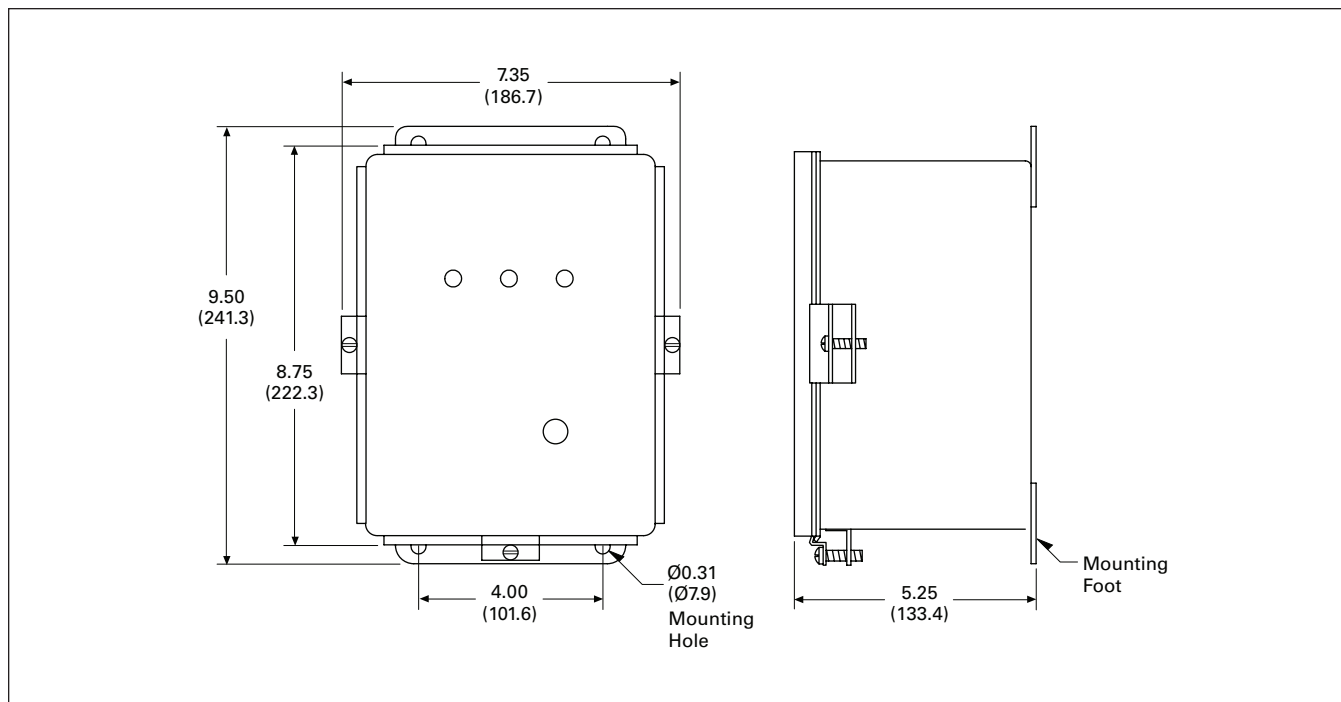
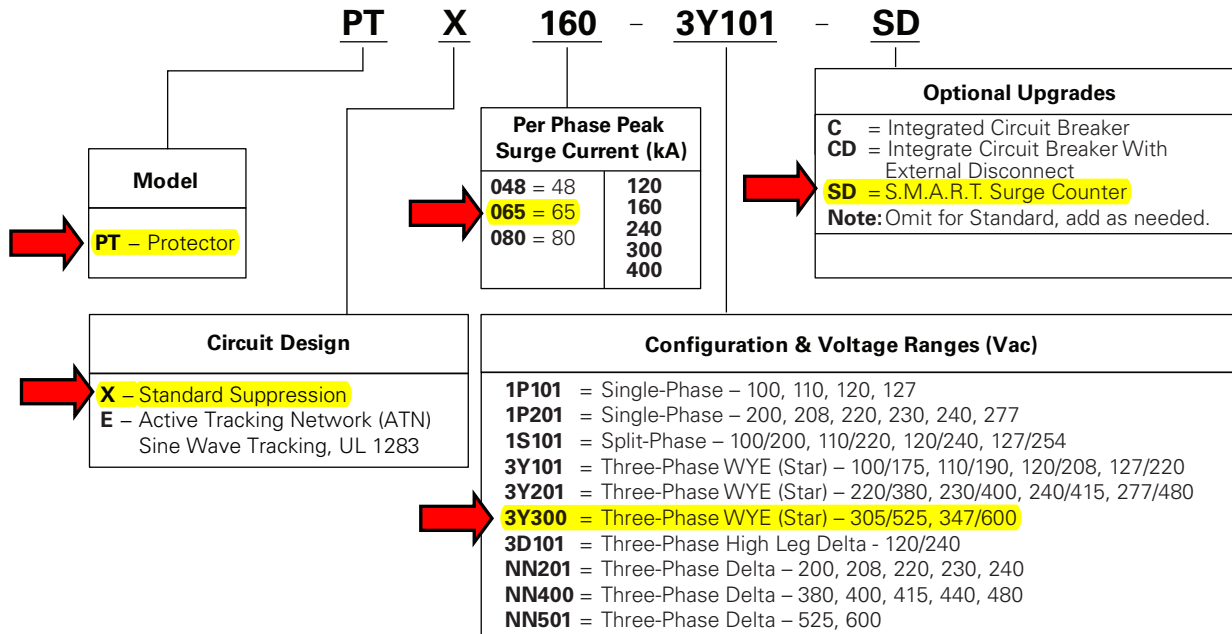


Figure 2. Protector Series for PTE048, 065, 080 Models 1P201, 3Y201, 3Y300, NN201, NN400, NN501, PTE/PTX 120 Low Voltage Models, and PTE/PTX 160 All Models

Catalog Numbering System*

Table 3. Protector Ordering Guidelines



Eaton is a federally registered trademark of Eaton Corporation. Innovative Technology is a registered service mark of Eaton Corporation. UL and cUL are federally registered trademarks of Underwriters Laboratories Inc. ISO is the registered trademark and sole property of the International Organization for Standardization. NEMA is the registered trademark and service mark of the Institute of Electrical and Electronics Engineers, Inc. Active Tracking Network (ATN) is a registered trademark of Eaton Corporation.

* Contact local Innovative Technology Master Distributor for available product configurations.

Eaton Corporation
Innovative Technology TVSS Products
1000 Cherrington Parkway
Moon Township, PA 15108-4312
USA
877-ETN-CARE (877-386-2273)
Web: www.itvss.com