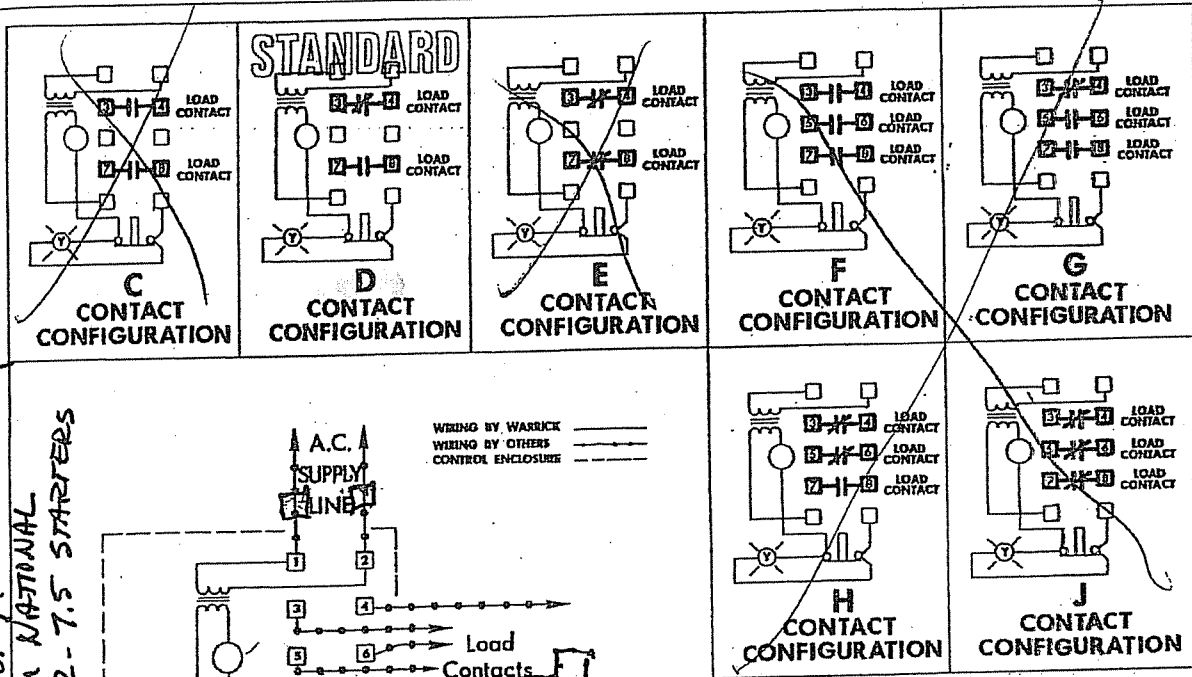


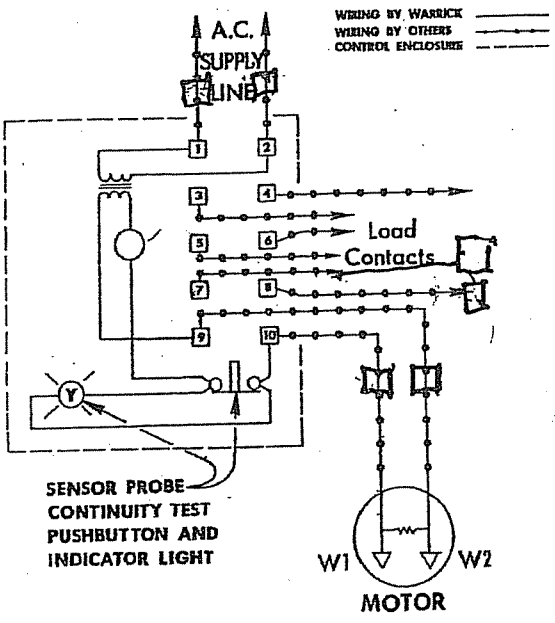
PN-94687

D5430M, MV, W, WD UL/CSA Listed Submersible Solids-Handling — Installation, Operation and Maintenance

28

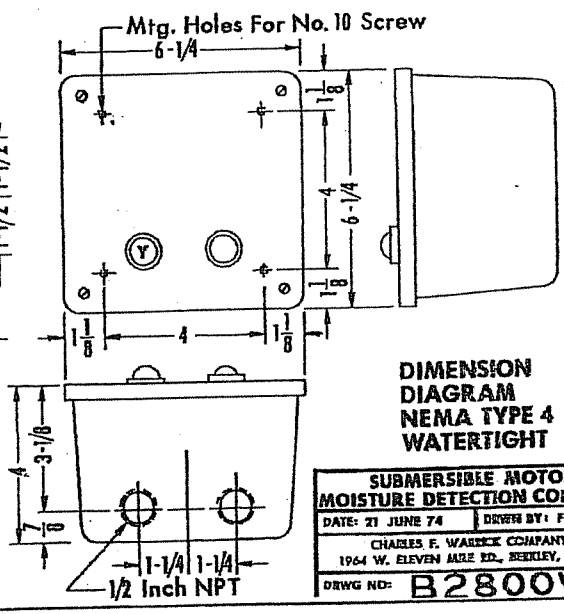
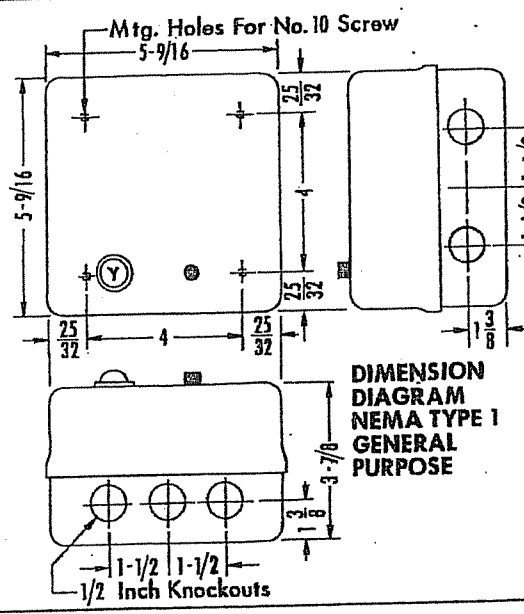


4 unit to be WIRED
IN AT FACTORY.
Units FROM NATIONAL
2-SMC 2-7.5 STARTERS



TYPE 2800 FORM 1 D 1

- ENCLOSURE TYPE
1 - Nema 1 or 4 - Nema 4
- CONTACT CONFIGURATION
C, D, E, F, G, H or J from diagrams at top
- SUPPLY LINE VOLTAGE
1 - 115 VAC
2 - 230 VAC
4 - 460 VAC
5 - 575 VAC



SUBMERSIBLE MOTOR MOISTURE DETECTION CONTROL
DATE: 21 JUNE 74 DRAWN BY: FR
CHARLES F. WARRICK COMPANY
1964 W. ELEVEN MILE RD., BEEBEY, MICH.
DRWG NO: B2800WI