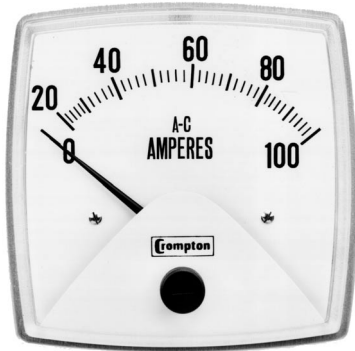




# 3½" Fiesta Panel Meters

## 016 Series



C  
2

### Introduction

A range of shortscale and longscale panel meters. Their rugged design will suit demanding environmental applications.

### Features

- ✓ Dust and water jet protected to IP55 (IEC529)
- ✓ Withstands high levels of shock, vibration, dirt and humidity
- ✓ The contoured window gives an exceptionally wide viewing angle
- ✓ Complies with ANSI-C39 (IEC 51)
- ✓ UL approval for short scale Ammeters, Voltmeters, Frequency Meters and Elapsed Time meters on selected ranges. File Number E87815
- ✓ Instruments comply with BSEN61010-1 meets IEC414 (BS5458) Dielectric Test (2600v for 1 min)
- ✓ IP55 (NEMA 4)

### Options

On request the following are available:

- ✓ Supplementary Pointer
- ✓ Non Reflecting Window
- ✓ Heavily Damped Movement
- ✓ Panel Gasket
- ✓ Clamp Band Fixing
- ✓ Colored Internal Gasket

### Elapsed Time Meter and Frequency Meter

**Voltage:** 100/125V,  
200/250V or  
480V a.c.

**Frequency:** 50Hz or 60Hz

**Burden:** 4VA Maximum

### Iron Vane A.C. Ammeter & Voltmeter

**Accuracy:** Shortscale: ammeters 2.0%;  
Longscale: 1.5 %

### Ratings

**Ammeters:** Shortscale 1 to 80A  
Longscale 1 to 20A

**Voltmeters:** 10V to 600V

### Overload

**Ammeters:** x1.2 for 2 hours  
10 x for 5 seconds

**Voltmeters:** x1.2 for 2 hours  
2 x for 5 seconds

### Burden

**Ammeters:** shortscale 0.5VA; long scale  
1.5VA

**Voltmeters:** 4.5VA maximum

### Moving Coil D.C. Ammeter & Voltmeter

**Accuracy Class:** Shortscale 1.5; longscale 1.5

### Ratings

**Ammeters:** 200µA to 30A  
(100µA shortscale)

**Voltmeters:** 50mV to 600V

### Overload

**Ammeters:** x1.2 for 2 hours  
10 x for 5 seconds

**Voltmeters:** x1.2 for 2 hours  
2 x for 5 seconds

### Impedance:

Voltmeters 1000 ohms per volt nominal

### Temperature (all types)

**Range:** -20°C to 65°C (-4°F to 149°F)

**Storage:** -30°C to 70°C (-22°F to 158°F)



# 3 1/2" Panel Meters

## 016 Series

### Fiesta Meters

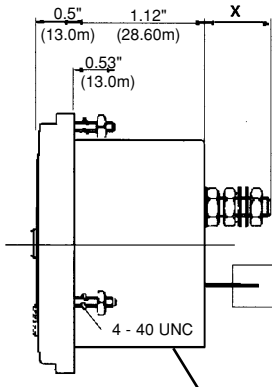
### Dimensions

X = Terminals

1/4 - 28 UNF up to 59.9A 0.72" long

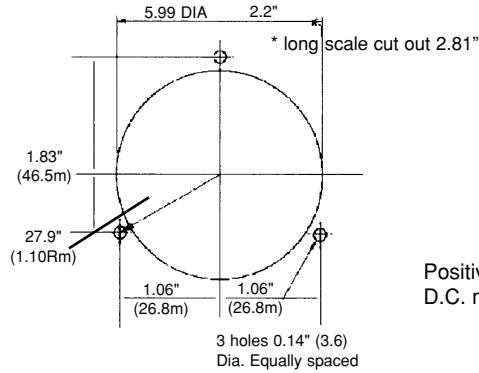
5/16 - 24 UNF over 60A 0.94" long

Side View

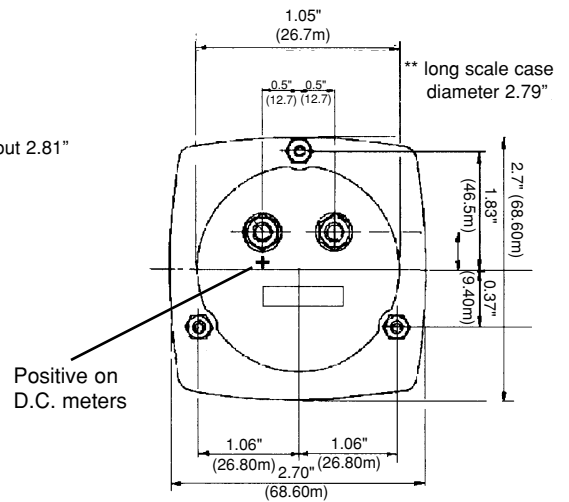


External resistors used on  
Frequency meters and 250°  
A.C. Voltmeters

Cut Out Dimensions



Rear View





# 3½" Fiesta Panel Meters

## 016 Series

### CROMPTON P/N 016-02AA-LSA4-C6-S2 2500A SCALE - 5A Movement



A.C. Ammeter



A.C. Voltmeter



D.C. Voltmeter



Frequency Meter



Elapsed Time Meter

#### A.C. AMMETERS - TRUE RMS READING

RATING	SCALING	SHORT SCALE CATALOG N°	LONG SCALE CATALOG N°
<b>Self Contained 40/70Hz</b>			
5A	0-5A	•016-02AA-LSLS	016-03AA-LSLS
10A	0-10A	016-02AA-MTMT	016-03AA-MTMT
15A	0-15A	016-02AA-NDND	016-03AA-NDND
20A	0-20A	016-02AA-NGNG	016-03AA-NGNG
30A	0-30A	016-02AA-NLNL	016-03AA-NLNL
5A	Transformer Rated	•016-02AA-LS**	016-03AA-LS**

#### A.C. VOLTMETERS - TRUE RMS READING

RATING	SCALING	SHORT SCALE CATALOG N°	LONG SCALE CATALOG N°
150V	0-150V	•016-02VA-PZPZ	016-03VA-PZPZ
300V	0-300V	•016-02VA-RXR X	016-03VA-RXR X
600V	0-600V	•016-02VA-SJSJ	016-03VA-SJSJ
150V	Transformer Rated	•016-02VA-PZ**	016-03VA-PZ**

#### D.C. AMMETERS

RATING	SCALING	SHORT SCALE CATALOG N°	LONG SCALE CATALOG N°
0-50mV	To Suit Requirements	016-01AA-EC**	016-05AA-EC**
0-1mA		•016-01AA-FA**	016-05AA-FA**
0-5mA		016-01AA-FX**	016-05AA-FX**
0-10mA		016-01AA-HA**	016-05AA-HA**
0-20mA		•016-01AA-HF**	016-05AA-HF**

#### MILLIAMMETERS - SUPPRESSED ZERO

No zero set unless specified

RATING	SCALING	SHORT SCALE CATALOG N°	LONG SCALE CATALOG N°
4/20mA	To Suit Requirements	•016-01RA-HG**	016-05RA-HG**

#### D.C. VOLTMETERS (Sensitivity 1000Ω/Volt)

RATING	SCALING	SHORT SCALE CATALOG N°	LONG SCALE CATALOG N°
0-15V	0-15V	016-01VA-NDND	016-05VA-NDND
0-30V	0-30V	016-01VA-NLNL	016-05VA-NLNL
0-50V	0-50V	•016-01VA-NTNT	016-05VA-NTNT
0-150V	0-150V	•016-01VA-PZPZ	016-05VA-PZPZ
0-300V	0-300V	•016-01VA-RXR X	016-05VA-RXR X
0-600V	0-600V	016-01VA-SJSJ	016-05VA-SJSJ

#### FREQUENCY METERS, 120V\* (Self Contained)

CENTER FREQ HZ	ACCURACY	SCALE	STANDARD CASE CATALOG N°
50Hz	-0.15	45-55Hz	•016-41SA-PNAG-AG
50Hz	-0.25	45-65Hz	•016-41SA-PNAJ-AJ
60Hz	-0.15	55-65Hz	•016-41SA-PNAN-AN
60Hz	-0.25	56-64Hz	•016-41SA-PNAO-AO
400Hz	-1.25	360-440Hz	016-41SA-PNBI-BI

\* Alternate voltage rating 200-250V use code RN instead of PN

\* Alternate voltage rating 380-480V use code SE instead of PN

#### ELAPSED TIME METERS 99999.99 hours, non reset

VOLTAGE RANGE	FREQUENCY Hz	SCALE	STANDARD CASE CATALOG N°
110/130V	50Hz	-	•016-155A-PNZH-C5
200/250V	50Hz	-	•016-155A-RNZH-C5
480V	50Hz	-	016-155A-SEZH-C5
110/130V	60Hz	-	•016-156A-PNZH-C6
200/250V	60Hz	-	•016-156A-RNZH-C6
480V	60Hz	-	016-156A-SEZH-C6

• UL recognized