

# 12.3

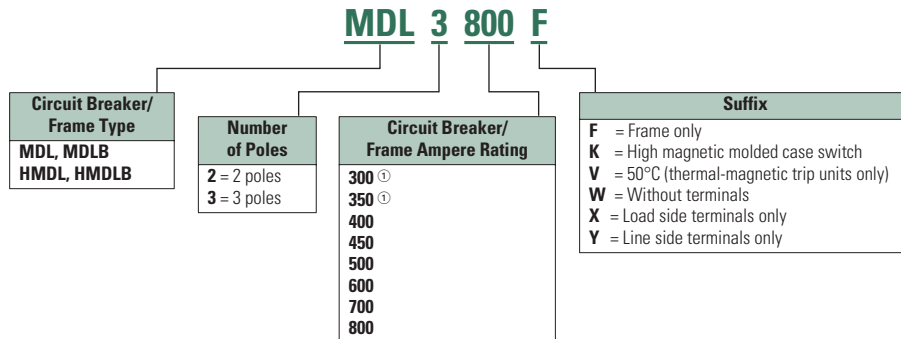
## Molded Case Circuit Breakers

Series C

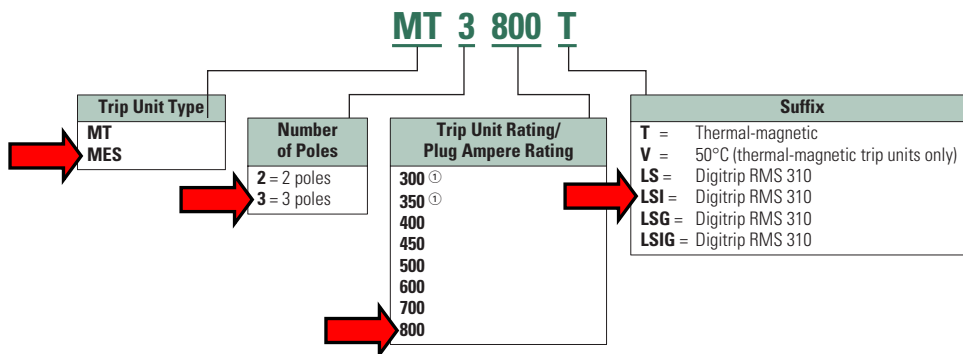
### Catalog Number Selection

This information is presented only as an aid to understanding catalog numbers. It is not to be used to build catalog numbers for circuit breakers or trip units.

### Circuit Breaker/Frame



### Thermal-Magnetic Trip Unit



**Note**

① Thermal-magnetic only.

**Types MDL and HMDL Electronic Circuit Breakers with Interchangeable Trip Units**

Order as Individual Components: breaker frame, trip unit, rating plug, terminals.

**Types MDL and HMDL Electronic Circuit Breakers with Interchangeable Trip Units—Three-Pole**

Maximum Continuous Ampere Rating at 40°C ①	Circuit Breaker Frame Only		Digitrip RMS 310 Trip Unit Only ②	Digitrip RMS 310 Rating Plug Only			Terminals
	Standard Interrupting Capacity 600 Vac Rated 50 kAIC at 480 Vac Catalog Number	High Interrupting Capacity 600 Vac Rated 65 kAIC at 480 Vac Catalog Number	L – Adjustable Long Delay Pickup (by Adjustable Rating Plug) S – Adjustable Short Delay Pickup with Fixed Short Delay Time (I <sup>2</sup> t Response) or Adjustable Short Delay Time (Flat Response) I – Adjustable Instantaneous Pickup by Setting Short Delay Time to Instantaneous G – Adjustable Ground Fault Pickup with Adjustable Ground Fault Delay (Flat Response) Catalog Number	Adjustable Rating Plugs	Fixed Rating Plug	Ampere Rating	
800	MDL3800F	HMDL3800F	MES3800LS	400	8MES400T	400/500/600/800	See Page 225 for standard and optional terminals
			MES3800LSI	500	8MES500T	A8MES800T	
			MES3800LSG	600	8MES600T	620/640/660/680	
			MES3800LSIG	700	8MES700T	A8MES600T5	
			—	800	8MES800T	720/740/760/780 A8MES700T5	

**Types MDLB and HMDLB Electronic Circuit Breakers with Non-Interchangeable Trip Units ③**

Maximum Continuous Ampere Rating at 40°C ①	Factory-Assembled Circuit Breaker Consisting of Frame and Trip Unit			
	LS Catalog Number	LSI Catalog Number	LSG Catalog Number	LSIG Catalog Number
<b>Three-Pole Standard Interrupting Capacity 600 Vac Rated 50 kAIC at 480 Vac</b>				
800	MDLB3800T33W	MDLB3800T32W	MDLB3800T35W	MDLB3800T36W
<b>Three-Pole High Interrupting Capacity 600 Vac Rated 65 kAIC at 480 Vac</b>				
800	HMDLB3800T33W	HMDLB3800T32W	HMDLB3800T35W	HMDLB3800T36W

**Notes**

- ① Ampere rating is established by rating plug.
- ② For AC use only.
- ③ Factory sealed, suitable for reverse feed application. CMDLB and CHMDLB are also available.