

Louvers and Vents

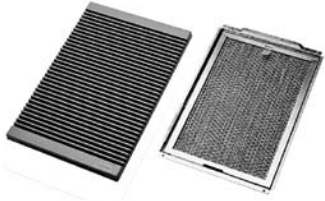
Filters for Louver Plate Kits



Designed for use with Louver Plate Kit. Mounting holes on filter bracket align with louver mounting holes. Hardware supplied with louvers also se

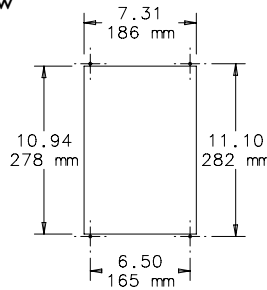
aluminum providing hundreds of adhesive-coated baffle surfaces for trapping impurities. Impurities are held throughout the depth of the filter. Washing with warm water will keep the filter clean. To achieve best results, Hoffman Filter Adhesive is recommended.

Vent Kit

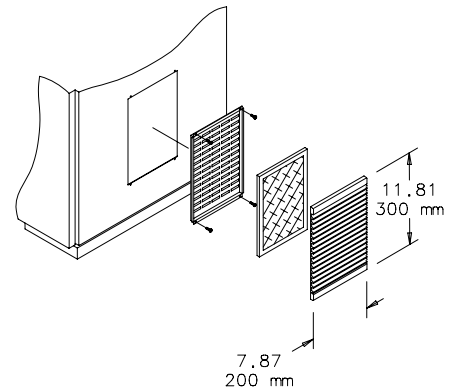


Includes a stylized louvered cover and filter package. Use as an air inlet when a cooling fan is mounted in an enclosure or use two vent kits to allow passive airflow. Mounting hardware included. Vent Kit

requires cutout shown in diagram. Available in gray (RAL 7042) or black.



Cutout Dimensions



Catalog Number	A x B (in.)	A x B (mm)	Use with Steel Louver	Use with Stainless Steel Louver
AFLT33	3.22 x 3.25	82 x 83	AVK33	AVK33SS6
AFLT34	4.09 x 3.25	104 x 83	AVK34	AVK34SS6
AFLT43	3.84 x 4.25	98 x 108	AVK43	AVK43SS6
AFLT44	4.97 x 4.25	126 x 108	AVK44	AVK44SS6
AFLT64	4.45 x 6.25	113 x 159	AVK64	AVK64SS6
AFLT66	6.72 x 6.25	171 x 159	AVK66	AVK66SS6
AFLT84	4.64 x 8.25	118 x 210	AVK84	AVK84SS6
AFLT86	7.02 x 8.25	178 x 210	AVK86	AVK86SS6
AFLT88	9.39 x 8.25	239 x 210	AVK88	AVK88SS6
AFLT812	14.14 x 8.25	359 x 210	AVK812	AVK812SS6

Catalog Number	H x W x D (in.)	H x W x D (mm)	Color
XPV32	11.81 x 7.88 x 1.03	300 x 200 x 26	Gray
PPV32B	11.81 x 7.88 x 1.03	300 x 200 x 26	Black

Ventilators



Designed to fit most metallic and non-metallic enclosures. Proper installation will provide rainproof ventilation but will not meet Type 4 or I2 requirements. Kit includes a ventilator made of fire-retardant thermoplastic material, mounting hardware, and instructions.

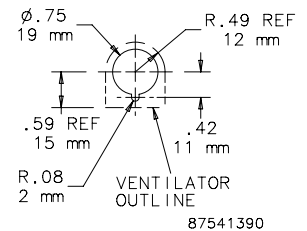
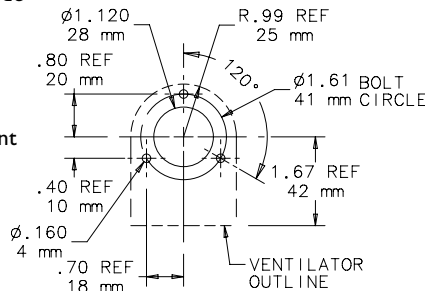
NOTE: Supplied screws are 13mm (.515 inch) long. Some applications may require longer screws.

Filter Adhesive



Designed to maximize the efficiency of all expanded aluminum air filters. Use of Filter Adhesive doubles the dust-retention capacity of the filter. Adhesive contains a low-viscosity water-soluble oil which absorbs dirt particles trapped on the surface of the filter. Through the circulation of the oil, a renewed impurity-absorbing surface is constantly established. Washing with water will remove dust, dirt, and other impurities. Once the filter is dry, re-coat with adhesive.

Catalog Number	Description
ANMV6	Large nonmetallic vent
ANMV3	Small nonmetallic vent



Small Ventilator

Catalog Number	Description
AFLTAD	Spray Adhesive