

**Hobbs** AC Hour Meters

Cross references to Rockwell Part # PP5983

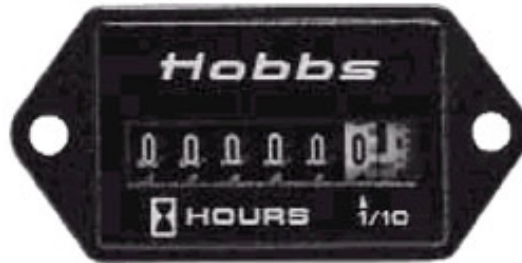
← Back

Next →

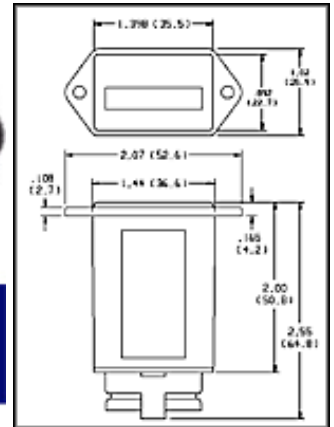
**20000 Series**

When there's a need to keep track of run time, quality-minded companies choose Hobbs! Whether it's for testing purposes, leasing applications, maintenance reasons, and/or warranty programs, you want an accurate and reliable hour meter. The **Hobbs 20000 Series** hour meter delivers!

To ensure our high standards of quality, all parts are in-process inspected. Every meter must pass 100% function and timing accuracy tests before shipping. These "Deluxe" AC meters are also totally sealed and benefit from an uncommon design which integrates the motor and frame into one substructure.



**Deluxe AC Hour Meters**



Rectangular 2 Screw

Operating Voltage	Hertz	Termination	Part #
108 to 132 VAC	50	Screw *	20028
108 to 132 VAC	60	Screw *	20001
108 to 132 VAC	60	7" Leads **	20035
216 to 264 VAC	50	Screw *	20029
216 to 264 VAC	50	7" Leads **	20036
216 to 264 VAC	60	Screw *	20007
216 to 264 VAC	60	7" Leads **	20037

Two-Screw Mount: Panel cut out 1.45 x .95 rectangular opening. Two .150 holes spaced 1.750.\*

**Specifications**

- Records up to 99,999 hours  
Automatic recycle to zero
- 24,120 and 240 VAC models available (Range ±10%)
- 50 and 60 Hertz versions
- 3.0 watts power rating
- Operating temperature: - 65° F to +154°F (-54° C to +68°C)
- Accuracy: ±.02%.
- Weight: 3 oz
- Screw termination or 7" lead wires

- Lens material: 3-screw mount: Glass All others: Polycarbonate
- Case material: Polycarbonate
- Number size: 0.12" (3mm)
- UL Listed (File # E47098): Screw terminals
- UL Recognized: Wire lead versions
- CSA Certified (File # LR42455)
- Conforms to MIL-M-3971 \*
- CE Mark

AC Applications	
<ul style="list-style-type: none"> <li>● Business machines</li> <li>● Control panels</li> <li>● Lighting systems</li> <li>● Generators</li> <li>● Compressors &amp; pumps</li> <li>● Refrigeration</li> </ul>	<ul style="list-style-type: none"> <li>● Air conditioning</li> <li>● Furnaces</li> <li>● Lab test equipment</li> <li>● Sun tanning equipment</li> <li>● Oxygen concentrators</li> <li>● Many more!</li> </ul>

\* Panel cutout dimensions are  $\pm .010$  tolerance  
 All dimensions shown in inches and (metric)

### Features

- Polycarbonate, shock resistant, tamper proof case
- Totally sealed \*
- Single phase, synchronous, permanently lubricated motor
- Custom logo dials, 1/4" blade terminals, special wire lengths.

### Options:

If you need it, let us know. YOUR satisfaction is our goal!

\* Applicable on shown "screw terminal" meters. Contact Hobbs for specifications on other available models.