

Hubbell Industrial Tamper Resistant and AUTOGUARD™ Self-Test

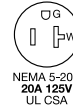
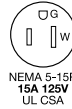


This patented industrial design includes an exclusive tamper resistant system to protect against objects being placed in a blade opening. Due to a unique switching technology, power is not present if an object is inserted within an individual slot. This is significantly superior to the plastic shutter method that is used by competition today.

The National Electric Code per article 517.18C states “Pediatric Locations, receptacles located within rooms, bathrooms, playrooms, activity rooms and patient care areas of pediatric wards shall be listed tamper resistant or shall employ a listed tamper resistant cover.”

This Fed Spec solution is also an excellent choice for psychiatric areas, medical facilities, heavy industrial, prisons, day care, laboratories, elderly facilities and schools. Industrial “robust” mechanical design & materials provide a receptacle with superior performance. This technology is also available in Hospital Grade.

Tamper Resistant GFCI



Industrial

Hospital

Color	15A	20A	15A	20A
Brown	GFR5262TR	GFR5362TR	GFR8200TR	GFR8300TR
Ivory	GFR5262ITR	GFR5362ITR	GFR8200ITR	GFR8300ITR
White	GFR5262WTR	GFR5362WTR	GFR8200WTR	GFR8300WTR
Gray	GFR5262GYTR	GFR5362GYTR	GFR8200GYTR	GFR8300GYTR
Black	GFR5262BKTR	GFR5362BKTR	GFR8200RTR	GFR8300RTR
Red	GFR5262RTR	GFR5362RTR	GFR8200BKTR	GFR8300BKTR



AUTOGUARD™ Self Test Tamper Resistant GFCI

The best of both worlds combine to provide this exclusive industrial and hospital grade safety product.

Industrial

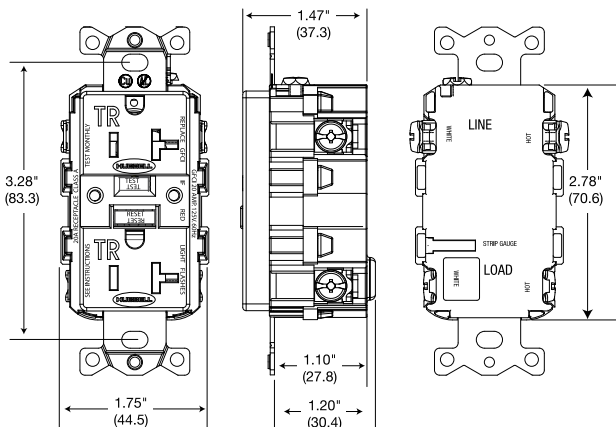
Hospital

Color	15A	20A	15A	20A
Brown	GFR5262SG	GFR5362SG	GFR8200SG	GFR8300SG
Ivory	GFR5262SGI	GFR5362SGI	GFR8200SGI	GFR8300SGI
White	GFR5262SGW	GFR5362SGW	GFR8200SGW	GFR8300SGW
Gray	GFR5262SGGY	GFR5362SGGY	GFR8200SGGY	GFR8300SGGY
Black	GFR5262SGBK	GFR5362SGBK	GFR8200SGBK	GFR8300SGBK
Red	GFR5262SGR	GFR5362SGR	GFR8200SGR	GFR8300SGR



The National Electric Code per article 517.18C states “Pediatric Locations, receptacles located within rooms, bathrooms, playrooms, activity rooms and patient care areas of pediatric wards shall be listed tamper resistant or shall employ a listed tamper resistant cover.”

Dimensions



Specifications

Trip Level	4 – 6 mA
Trip Time	.025 sec
Frequency	60Hz
Voltage	120V AC +10% - 15%
Maximum Humidity	95%
Maximum Interrupting Capacity	2,000 Amps
Operating Temperature	-35°C to +66°C (-30°F to +150°F)
Codes & Standards	Meets 2006 UL 943 Class A GFCIs and UL 498 for Receptacles Complies to NEC, CEC & OSHA UL File E-41978, CSA File LR-24886
Terminal Accommodations	#14-10 AWG stranded or solid copper conductors only.

Note: Tamper Resistant only, has a single LED located to the right of test/reset buttons.

Printed In U.S.A. Specifications subject to change without notice. © Registered trademark of Hubbell Incorporated

Hubbell Incorporated (Delaware) • 185 Plains Road • Milford, CT 06461-2420 • (203) 882-4800 • FAX (800) 255-1031

H5212



Wiring Device-Kellems

www.hubbell-wiring.com