



TITLE: 3PH DISTRIBUTION TRANSFORMER  
NAMEPLATE INFORMATION

DES: RBHATIA
DATE: 07/11/16
SCALE: NTS

SHEET 1 OF 2

EDR 186637

THREE PHASE DRY TYPE TRANSFORMER  
ALLEN-BRADLEY  
MILWAUKEE, WI. USA



P/N YPP6372

E112313

LR3902

kVA 30

CLASS AN

TYPE J

TEMP. RISE °C 80

TEMP. CLASS °C 200

FREQ. Hz 60

IMPEDANCE %  
@ 100 °C 3.2

ENCL. TYPE -

WEIGHT LBS 285

INS. SYSTEM 180-1

SERIAL NO:

cab3001e

VOLTS	% RATED VOLTAGE	CONNECTION
504	105	1-2
492	102.5	2-3
480	100	3-4
468	97.5	4-5
456	95	5-6

MEETS TP-1-2002 EFFICIENCY  
COPPER WINDING

HV

480V

LV

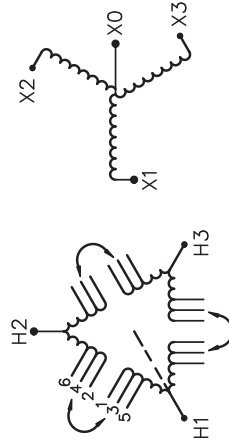
208Y/120V

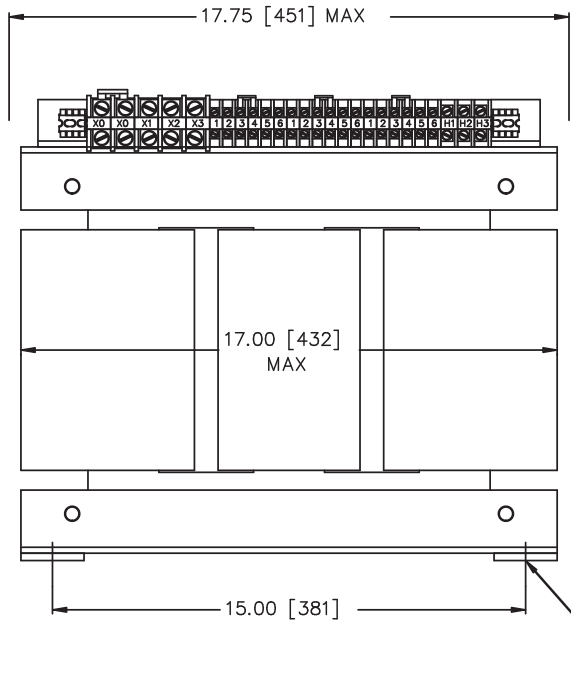
BILL  
KV

-

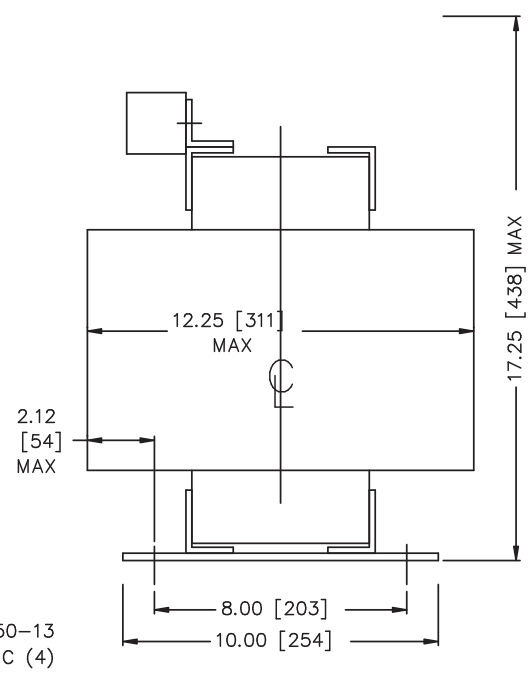
H1 H2 H3

X0 X1 X2 X3





FRONT\_VIEW



SIDE\_VIEW



TITLE: 3PH DISTRIBUTION TRANSFORMER

				DES: RBHATIA
				DATE: 07/11/16
NO.	DATE	BY	REVISION	SCALE: NTS

SHEET 2 OF 2  
EDB 186637

0.6 root 2010/10/12 14:58