



Hammond Power Solutions Inc.

TITLE: 3PH DISTRIBUTION TRANSFORMER
NAMEPLATE INFORMATION

DES:	GPATEL
DATE:	11/06/29
SCALE:	NTS

NO.	DATE	BY	REVISION

SHEET 1 OF 2

EDB 200332

0.3 gpatel 2011/07/08 15:45

THREE PHASE DRY TYPE TRANSFORMER
ALLEN-BRADLEY
MILWAUKEE, WI. USA



LR3902



E112313

P/N PP6848

KVA 15

CLASS AA

TYPE J

TEMP. RISE °C 80

TEMP. CLASS °C 180

FREQ. Hz 60

IMPEDANCE % @ 100 °C 4.6

ENCL. TYPE -

WEIGHT LBS 160

INS. SYSTEM 180-1

VOLTS	% RATED VOLTAGE	CONNECTION
504	105	1-2
492	102.5	2-3
480	100	3-4
468	97.5	4-5
456	95	5-6

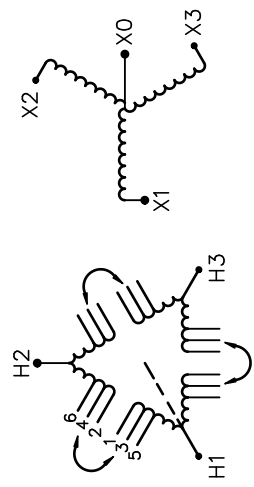
HV 480V

LV 208Y/120V

BILL kV -

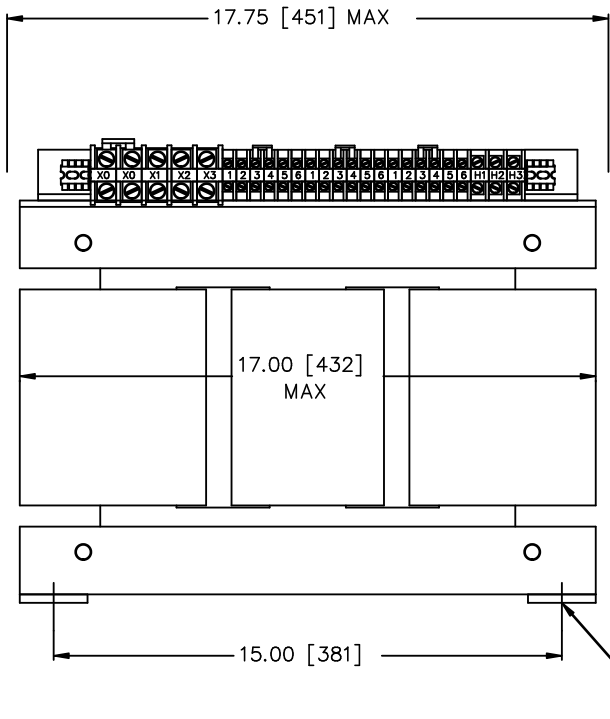
H1 H2 H3

X0 X1 X2 X3

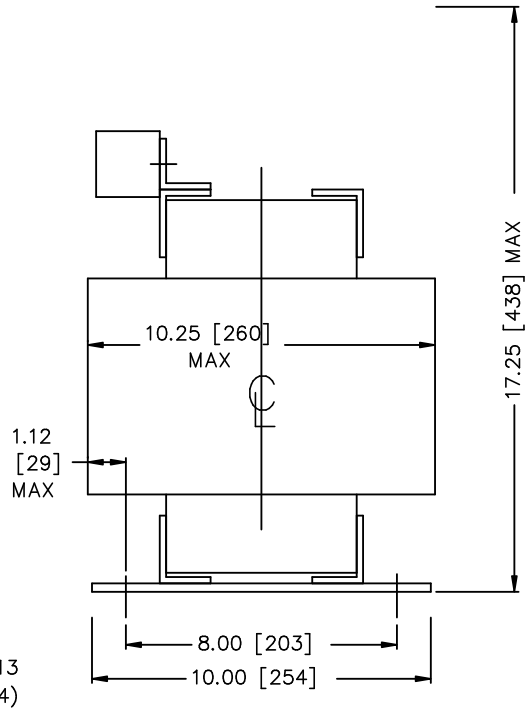


SERIAL NO: cab3001e

200332



FRONT_VIEW



SIDE_VIEW



TITLE: 3PH DISTRIBUTION TRANSFORMER
MECHANICAL INFORMATION

				DES: GPATEL
				DATE: 11/06/29
NO.	DATE	BY	REVISION	SCALE: NTS

SHEET 2 OF 2
EDB 200332

0.3 gpatel 2011/07/08 15:45