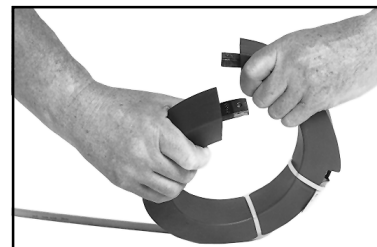
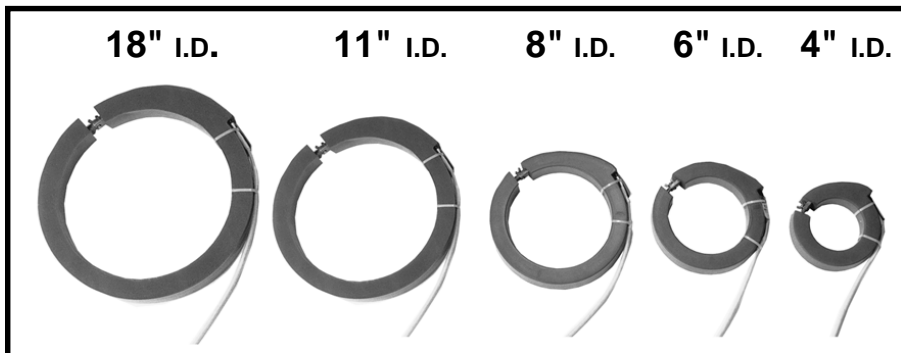


# CURRENT TRANSFORMERS

## SPLIT CORE CURRENT TRANSFORMERS

MODEL FC

### FLEX-CORE® Circular Models



**Note:**  
Open split-core with a twisting motion only.

### FEATURES

This split-core current transformer was designed for easy installation on large bus and wire conductors in order to make electrical load surveys or for continuous monitoring of current.

### SPECIFICATIONS



#### Construction

Directional silicon steel is used for the flexible core. Secondary windings are of copper. Unit is encapsulated in silicone rubber which protects against moisture, dirt, oil and corona.

**Insulation Level** ..... 600Vac

Can be used over insulated conductors on higher voltage circuits. Rubber inserts are available for a more precise fit to your conductor.

**Frequency** ..... 50-400Hz

#### Safety Factor

A self-contained voltage clamping circuit prevents dangerous high voltage across the secondary windings in case of accidental opening of the output leads when the primary circuit is energized. This circuit will trigger within 10 microseconds when the secondary voltage rises to 40 volts or more, clamping the output to less than 1 volt.

**Secondary Leads** ..... 12 Ft. with spade connectors  
Custom lead lengths are available.

**Color** ..... Transformer (red) - Leads (yellow)

Remains flexible from -45° to +200°C.

### APPLICATIONS

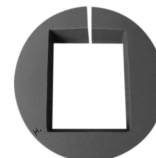
For use with any 5 Amp Indicating or Recording Ammeter or Amp or Watt Transducer. Other applications include:

- Watt Transducer
- Current Transducer
- KWH Meter
- Demand Meter
- Power Factor Meter
- Current Sensing Relays
- Energy Management Systems

- For Indoor or Outdoor Use
- Most Ratios Stocked
- Seven Opening Sizes
- Other Ratios Available
- 1, 3, or 5 Amp Secondaries
- Dual Tap Ratios Available
- 0-1 Volt Ac Output Available
- 0-.333 Volt Ac Output Available
- Loop Coil Multiplier Available
- Custom Inserts Available



Loop Coil



Custom Insert

### ORDERING INFORMATION

FC XXXX/X - X

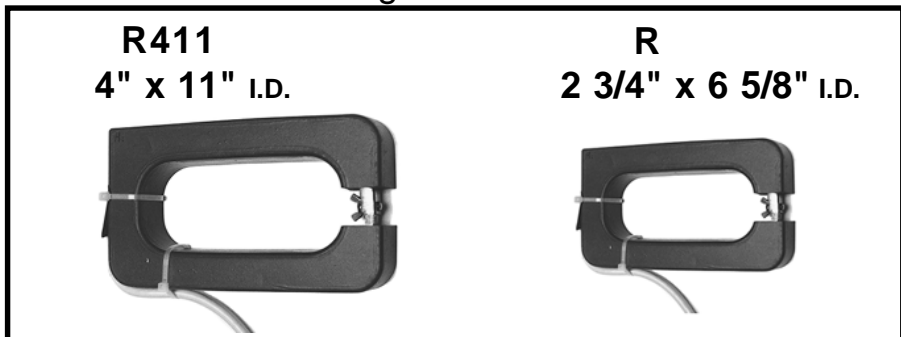
RATIO  
I.D.

-4 -6 -8 -11 -18 -R -R411

Example: 500A Split-Core with 4" Inside Diameter

FC500/5-4

### FLEX-CORE® Rectangular Models



**Note:**  
Open split-core with a twisting motion only.

# CURRENT TRANSFORMERS

## SPLIT CORE CURRENT TRANSFORMERS

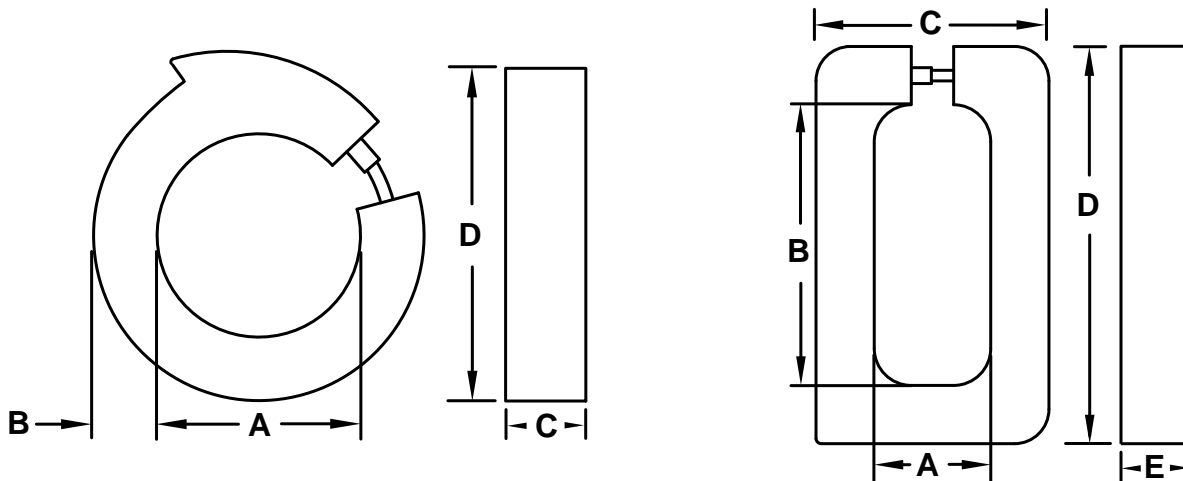
MODEL FC

CURRENT RATIO	INSIDE DIAMETER							BURDEN CAPACITY	ACCURACY	THERMAL FACTOR
	ROUND					RECTANGLE				
	4"	6"	8"	11"	18"	-R	-R411			
200/5	X	-	-	-	-	-	-	2VA	4%	1.25
250/5	X	-	-	-	-	-	-	2VA	4%	1.25
300/5	X	X	-	-	-	-	-	2VA	4%	1.25
400/5	X	X	-	-	-	X	-	2VA	3%	1.25
500/5	X	X	-	-	-	X	-	3VA	3%	1.25
600/5	X	X	-	-	-	X	-	5VA	2%	1.25
800/5	X	X	-	-	-	X	-	5VA	2%	1.25
1000/5	X	X	X	-	-	X	-	5VA	1%	1.25
1200/5	X	X	X	-	-	X	-	5VA	1%	1.25
1500/5	X	X	X	X	-	X	X	15VA	1%	1.25
1600/5	X	X	X	X	-	X	X	15VA	1%	1.25
2000/5	X	X	X	X	X	X	X	25VA	1%	1.25
2400/5	-	X	X	X	X	X	X	30VA	1%	1.25
2500/5	-	X	X	X	X	X	X	35VA	1%	1.25
3000/5	-	X	X	X	X	X	X	45VA	1%	1.25
3500/5	-	X	X	X	X	X	X	45VA	1%	1.25
4000/5	-	X	X	X	X	X	X	45VA	1%	1.25
5000/5	-	X	X	X	X	X	X	45VA	1%	1.25
6000/5	-	X	X	X	X	X	X	45VA	1%	1.25



AVERAGE WEIGHT	4"	6"	8"	11"	18"	(R) 2 3/4"x6 5/8"	(R411) 4"x11"
	3.5 lbs.	4.25 lbs.	5.5 lbs.	7.5 lbs.	17 lbs.	4.25 lbs.	6.25 lbs.

### DIMENSIONS



INSIDE DIAMETER	CIRCULAR				MODEL
A	B	C	D		
4	1 1/4	1 1/2	6 1/2	-4	
6	1 1/4	1 1/2	8 1/2	-6	
8	1 1/4	1 1/2	10 1/2	-8	
11	1 1/4	1 1/2	13 1/2	-11	
18	1 1/4	1 1/2	20 1/2	-18	

INSIDE DIAMETER	RECTANGULAR					MODEL
A	B	C	D	E		
2 3/4	6 5/8	5 1/2	9 3/8	1 1/2	-R	
4	11	6 1/2	13 3/8	1 1/2	-R411	

All Dimensions In Inches  
Black Wire = X1  
White Wire = X2



# FLEX-CORE

6625 McVEY BLVD. COLUMBUS, OHIO 43235  
(614) 889-6152

## FC

### INSTALLATION INSTRUCTIONS

#### WARNING

**FLEX-CORE** Current Transformers **must** be installed by a qualified electrician.

**DO NOT** attempt to connect these current transformers or troubleshoot these current transformers in the area where they are mounted while power is on as this may involve contact with dangerous voltages and power levels which could result in **DEATH**.

**DO DISCONNECT** the main power before installing these current transformers. If a main disconnect switch is not available on the supply side of the location where they are to be connected, request your local electric utility company to turn off facility power during installation. (See Note 1)

**MAKE SURE** that these current transformers are mechanically mounted in a way so that they will not shift (due to vibration, etc.) after installation. Also try to center the current transformer around the cable or buss in order to attain the greatest accuracy from the current transformer.

**NEVER ALLOW** a current transformer to be energized with its secondary terminals open-circuited as **dangerous voltages** may occur. Also possible destruction of the current transformer could result. (See Note 2)

**DO NOT** attempt to connect these current transformers to any bare conductor with a voltage potential of more than 600 VAC - 60 Hz. (See Note 3)

**NO LIABILITY** will be assumed for misapplication of these current transformers.

**NOTE 1** - Although it is possible to install these current transformers while power is on, for safety purposes it is **not** recommended.

**NOTE 2** - Although these current transformers are voltage limited to less than 40 VAC when the secondary terminals are open-circuited, it is **not** recommended practice to leave these current transformers open-circuited.

# FLEX-CORE

6625 McVEY BLVD. - COLUMBUS, OH 43235

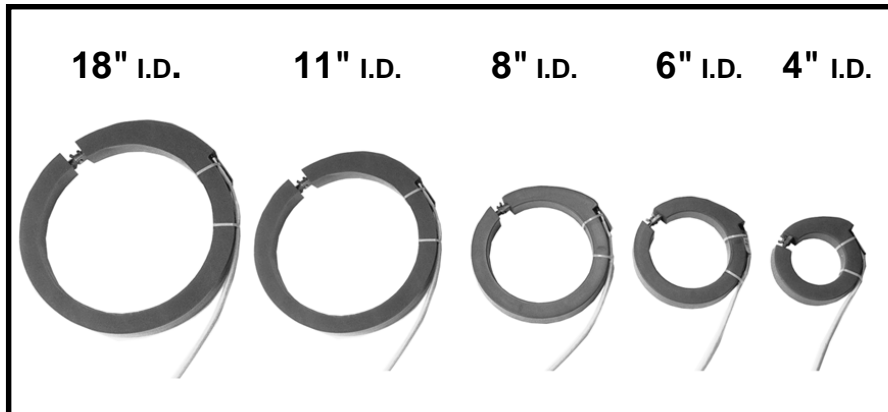
## POLARITY INFORMATION

**FLEX-CORE SPLIT-CORE Current Transformer**  
Secondary wire colors are as follows:

X1 or ● = BLACK

X2 = WHITE

## **SPLIT-CORE Current Transformers - MODEL FC**



**FLEX-CORE SOLID CORE Current Transformer**  
Models: AL,7RL,58,7,76,19RL  
Secondary wire colors are as follows:

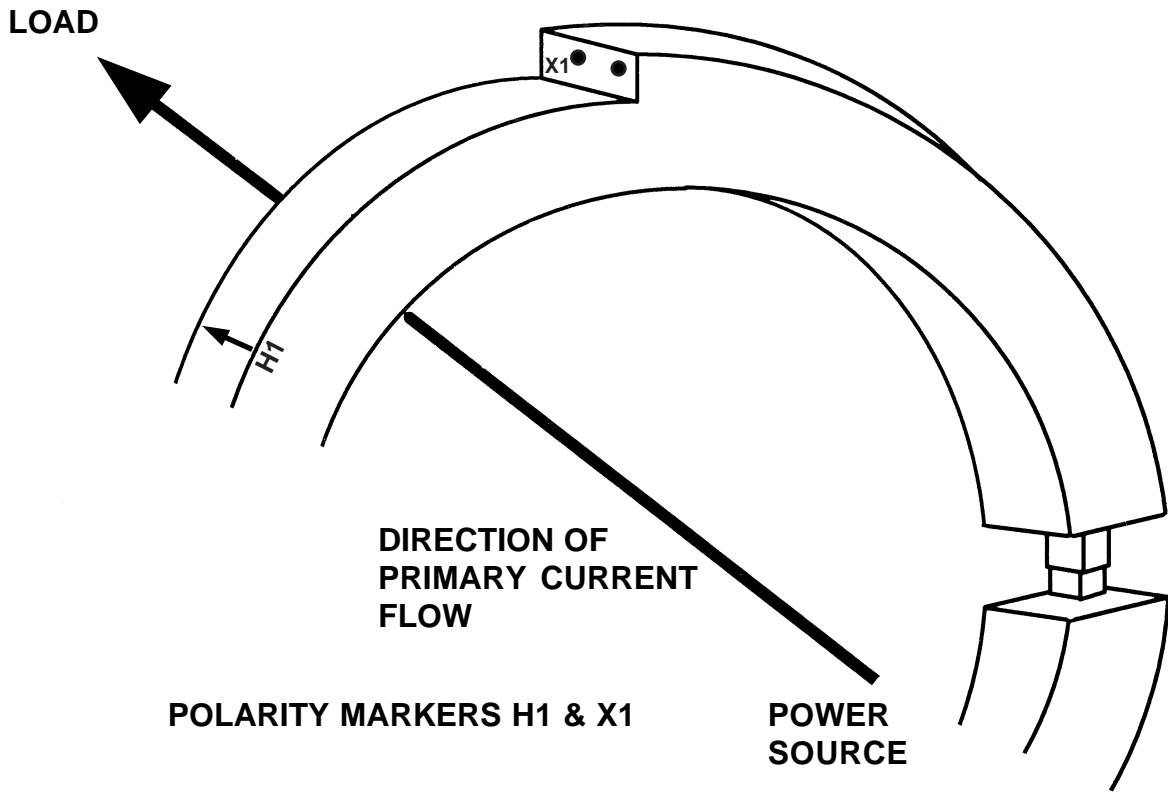
X1 or ● = WHITE

X2 = BLACK



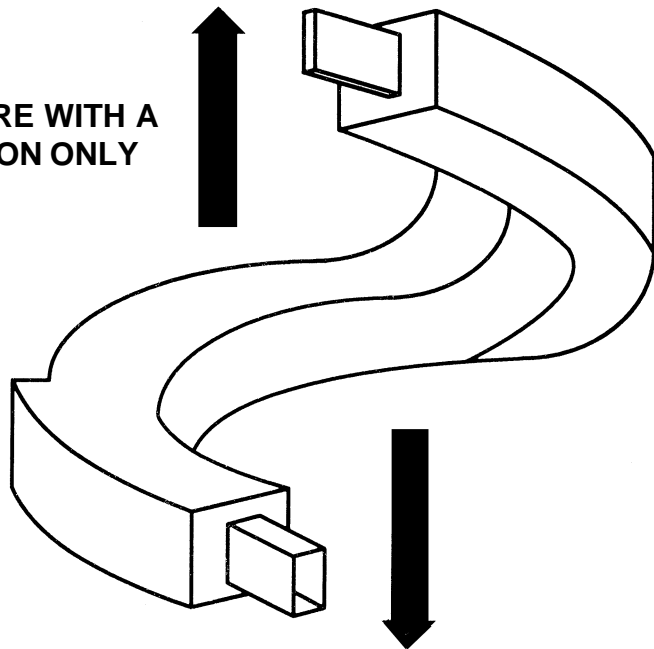
# MODEL FC

## POLARITY INFORMATION



**BLACK SECONDARY LEAD IS CONNECTED TO X1**

**NOTE:**  
OPEN SPLITCORE WITH A  
TWISTING MOTION ONLY



**FLEX-CORE**  
**6625 McVEY BLVD.**  
**COLUMBUS, OH 43235**  
**(614) 889-6152**