

### Feature package options

The SPD Series provides users with the option of selecting between three feature packages. These feature packages are the basic, standard, and standard with surge counter. The proper feature package can be selected based on the requirements of the application or specification.

**Table 1. Feature Package Comparison**

Feature	Basic	Standard	Standard with Surge Counter
Surge protection using thermally protected MOV technology	✓	✓	✓
Dual-colored protection status indicators for each phase	✓	✓	✓
Dual-colored protection status indicators for the neutral-ground protection mode	✓	✓	✓
Audible alarm with silence button		✓	✓
Form C relay contact		✓	✓
EMI/RFI filtering, providing up to 50 dB of noise attenuation from 10 kHz to 100 MHz		✓	✓
Surge counter with reset button			✓

### Remote display mounting option

The SPD Series offers the option of mounting its display remotely from the device. This is useful for applications where OEMs or other integrators would like to embed the unit within a piece of equipment and still be able to view its display.

SPD Series unit catalog numbers ending with 'B' (refer to catalog number configuration on **Page 7**) should be ordered for applications where the display is to be mounted remotely. These units include the SPD Series unit and the remote display panel.

In addition to the unit itself, a remote display cable will have to be purchased. Remote display cables are available in 4, 8, and 12 foot lengths.

**Table 2. Remote Display Cables**

Description	Catalog Number
4 ft remote display cable	SPDRDCAB04
8 ft remote display cable	SPDRDCAB08
12 ft remote display cable	SPDRDCAB12

**Note:** Integrated units factory-installed with Eaton switchgear assemblies do not require the purchase of a remote display cable. The cable is provided and all required mounting is performed at the factory.

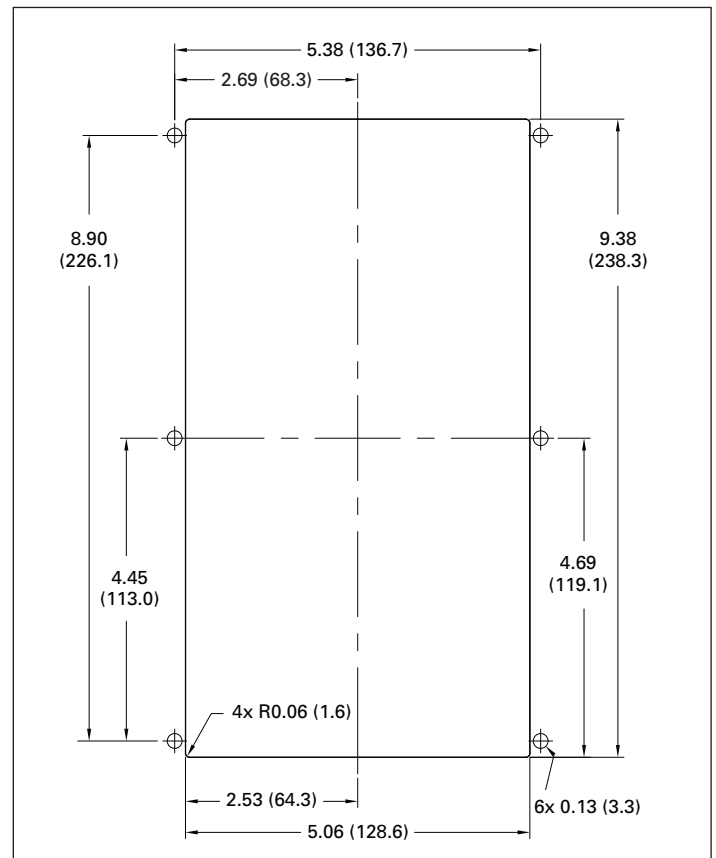
Existing SPD Series units previously installed without a remote display also have the capability of mounting their displays remotely from the device. Complete remote display kits are available that contain all items required to mount the display remotely, including the remote display cable. Remote display kits are available in 4, 8, and 12 foot cable length options.

**Table 3. Remote Display Kits**

Description	Catalog Number
Remote display kit with 4 ft remote display cable	SPDRDKIT04
Remote display kit with 8 ft remote display cable	SPDRDKIT08
Remote display kit with 12 ft remote display cable	SPDRDKIT12

For the dimensions of the cutout required to accommodate the remote display panel, see **Figure 1** below.

### Dimensions



**Figure 1. Dimensions of the Cutout Required to Accommodate the Optional Remote Display Panel**