

Cross Reference Rockwell Part # PP9092



1.0 DESCRIPTION: LIGHTING AND DISTRIBUTION PANELBOARD CHASSIS WITH COVER

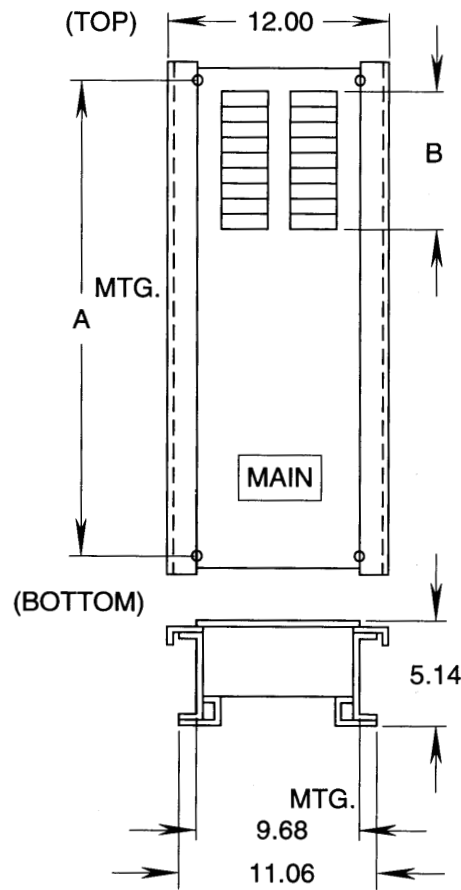
2.0 REQUIREMENTS

- 2.1 MCC NEUTRAL INCLUDED AS A SEPARATE COMPONENT (PACKAGED WITH PANELBOARD)
- 2.2 SINGLE PHASE, 3-WIRE; 120/240 VAC MAX.
- 2.3 MAIN BREAKER TYPE - 125 AMPERE, 3-POLE, C-H CAT. NO. ED3125 - (CENTER POLE WITHOUT LUG OR CONNECTING BUS) MAIN VERTICALLY MOUNTED IN BOTTOM OF PANEL BELOW BRANCH BREAKER SECTION
- 2.4 225 AMPERE BUS RATING
- 2.5 BUS MATERIAL: ALUMINUM, COPPER, OR COPPER WITH SILVER OR TIN PLATING
- 2.6 FACILITATES BOLT-IN TYPE BRANCH BREAKERS
- 2.7 MUST BE A UL RECOGNIZED COMPONENT OR UL LISTED AND THE UL LABEL MUST BE PROVIDED ON PANELS MANUFACTURED IN THE UNITED STATES; OR BE cUL AND THE cUL MARK MUST BE PROVIDED ON PANELS MAUFACTURED IN CANADA
- 2.8 MARKING: MANUFACTURER'S NAME OR SYMBOL, AND PART NUMBER

3.0 VENDOR MODIFICATION: A-B MUST BE NOTIFIED OF ANY CHANGES IN MATERIALS OR PROCESSES WHICH COULD AFFECT THE PERFORMANCE, RELIABILITY OR PHYSICAL CHARACTERISTICS OF THIS DEVICE

4.0 PACKAGING: SHIPPING CONTAINERS MUST BE MARKED WITH MANUFACTURER'S NAME AND PART NUMBER

REFERENCE		LIGHTING AND DISTRIBUTION PNLBD CHASSIS W/SEPARATE MCC NEUTRAL		THIS DRAWING IS THE PROPERTY OF THE ALLEN-BRADLEY CO. INC. AND MAY NOT BE COPIED, USED OR DISCLOSED FOR ANY PURPOSE EXCEPT AS AUTHORIZED IN WRITING BY THE ALLEN-BRADLEY CO. INC. LOCATION: MILWAUKEE, WISCONSIN U.S.A.
REVISION AUTHORIZATION 1 50292-00 2 50064-01		1 PH, 3-WIRE - 125A MAIN BREAKER C-H MODEL PRL1a		
DIMENSIONS APPLY BEFORE SURFACE TREATMENT (DIMENSIONS IN INCHES) TOLERANCES UNLESS OTHERWISE SPECIFIED .XX: ± .02 .XXX: ± .005 ANGLES: ± 1°		 		
		DR. <i>Talmond</i> CHKD. <i>E. Brooks</i> APPD. <i>G. BRUSKI</i>	DATE 4/2/01 DATE 4-3-01 DATE 04-05-01	
		DWG. SIZE A	SHEET 1 OF 2	
		25111-032		



NOMINAL DIMENSIONS,
REFERENCE ONLY

PART NO	CHG LTR	NUMBER OF 1 POLE CIRCUITS AVAILABLE	REF. DIM. INCHES		PANEL BUS MATERIAL (MAT./PLATING)	CUTLER-HAMMER STYLE NUMBER REFERENCE ONLY
			A	B		
-01	A	18	24.00	9.00	Al	SL1A252B2A
-02	A	30	30.00	15.00	Al	SL1A312B2A
-03	A	42	36.00	21.00	Al	SL1A372B2A
-04	A	18	24.00	9.00	Cu	SL1A252B2C
-05	A	30	30.00	15.00	Cu	SL1A312B2C
-06	A	42	36.00	21.00	Cu	SL1A372B2C
-07	A	18	24.00	9.00	Cu/Silver	SL1A252B2S
-08	A	30	30.00	15.00	Cu/Silver	SL1A312B2S
-09	A	42	36.00	21.00	Cu/Silver	SL1A372B2S
-10	A	18	24.00	9.00	Cu/Tin	SL1A252B2T
-11	A	30	30.00	15.00	Cu/Tin	SL1A312B2T
-12	A	42	36.00	21.00	Cu/Tin	SL1A372B2T

REFERENCE

LIGHTING AND DISTRIBUTION PNLBD

CHASSIS W/SEPARATE MCC NEUTRAL

1PH, 3-WIRE 125 A MAIN BREAKER

C-H MODEL PRL1a

Rockwell Automation

Allen-Bradley



DR. *T. Lopez*

DATE 4/2/01

CHKD. *E. G. Ross*

DATE 4-3-01

APPD. *G. BRUSKI*

DATE 04-05-01

THIS DRAWING IS THE PROPERTY OF THE ALLEN-BRADLEY CO. INC. AND MAY NOT BE COPIED, USED OR DISCLOSED FOR ANY PURPOSE EXCEPT AS AUTHORIZED IN WRITING BY THE ALLEN-BRADLEY CO. INC.

LOCATION: MILWAUKEE, WISCONSIN U.S.A.

DWG. SIZE

A

SHEET 2 OF 2

25111-032

DIMENSIONS APPLY BEFORE SURFACE TREATMENT

(DIMENSIONS IN INCHES) TOLERANCES UNLESS OTHERWISE SPECIFIED

.XX: ± .02

.XXX: ± .005

ANGLES: ± 1°