



Temperature Control Switches (Thermostats)

These easy to install thermostats are designed to regulate and monitor air temperature in switch-gear enclosures that are set up to operate with heaters, fans, filter ventilators, heat exchangers, and/or signal transmitters. Thermostat A-TEMNC is specifically designed for use with heaters (contacts close on temperature drop), while thermostat A-TEMNO is designed to control fans, filter ventilators, or for switching signal transmitters in the event of overheating (contacts close on temperature rise). Both thermostats have a bi-metallic adjustable set point range of 30 to 140° F. An additional label is provided to convert set point range to degrees Celsius. A preset label is also provided to cover the set point range label after the thermostat is put at desired temperature.

When the enclosure reaches the pre-determined set point, temperature contacts in the thermostat are activated and the fan or heater automatically begins to operate. Thermostats prolong the life expectancy of heaters and fans by curtailing their operating hours and also increase the working efficiency of electrical components by exposing them to fewer contaminants from the surrounding environment. Connections consist of tubular screw terminals for AWG 14 (0.04 in²). Provision for both panel mounting and DIN rail mounting. Housing is plastic

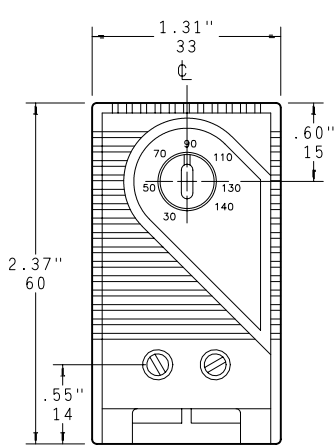
Industry Standards
 UL94-VO
 Protection rating IEC IP30
 UL/cUL Component Recognized
 CE



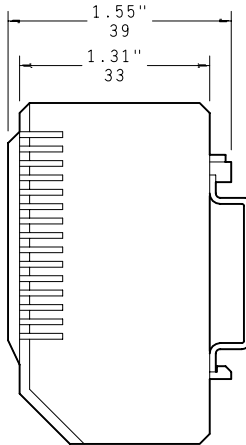
UL File Number E164102

Catalog Number	Contact Type
ATEMNC	NC (normally closed), quickacting
ATEMNO	NO (normally open), quickacting

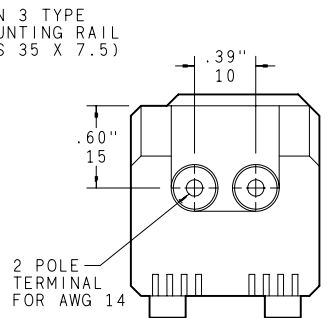
Switching Capacity Amp	Volts		Load
	AC	DC	
15	120 AC		Resistive
16	250 AC		Resistive
1	120 - 250 AC		Inductive
10	12 - 24 DC		Resistive
1	12 - 24 DC		Inductive



Front View



Side View



Bottom View

87541408